

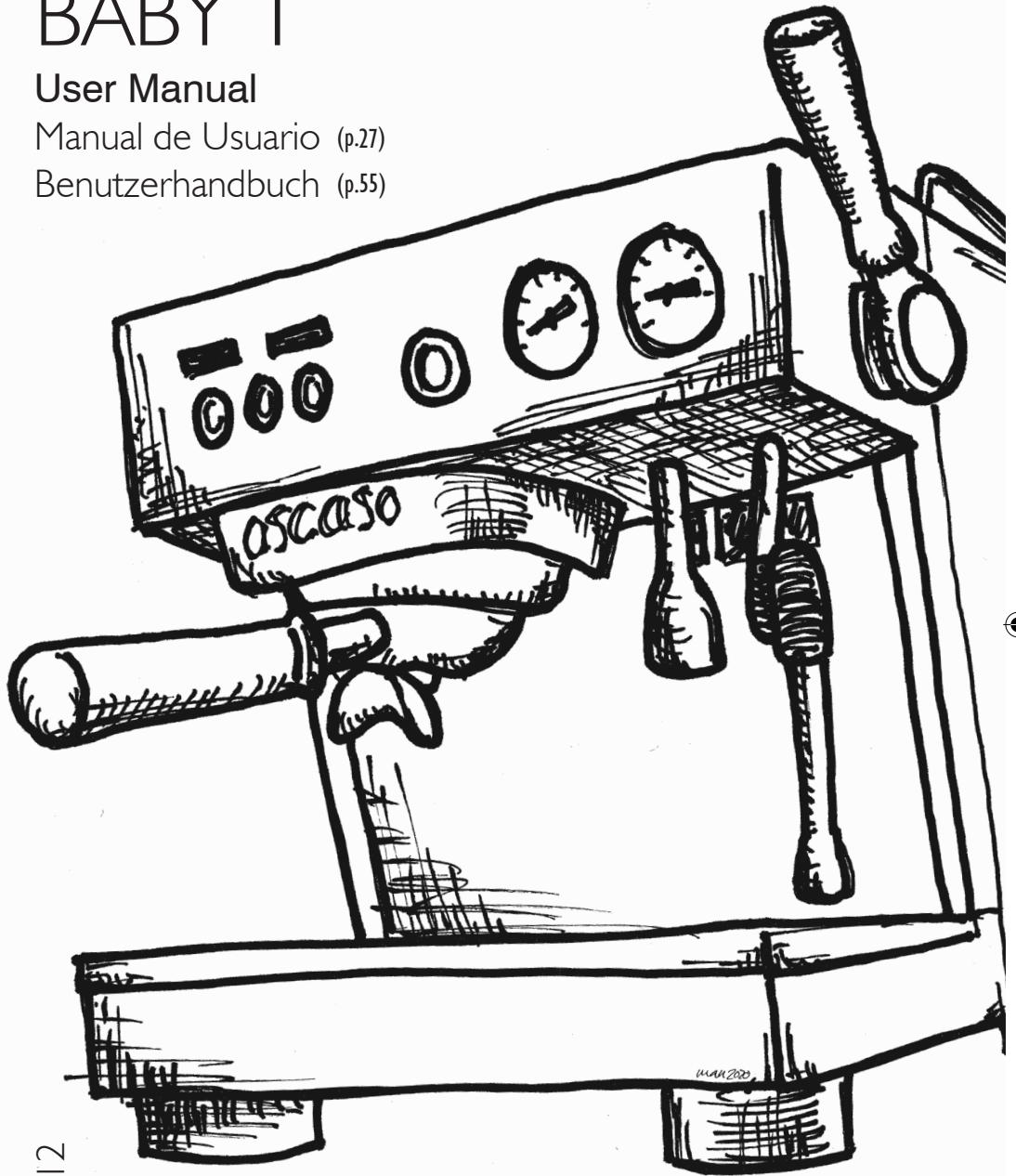


BABY T

User Manual

Manual de Usuario (p.27)

Benutzerhandbuch (p.55)



2020/12

ascaso
BARCELONA







Thank you

Thank you for purchasing an **ascaso** product. With it you can get the best espresso coffee and delicious cappuccinos.

Your coffee machine has been designed and built applying the latest technological innovations, both in the computer field and engineering, so the result is a high quality product, safe and reliable.

Recycling your coffee machine

Coffee makers may contain recyclable materials.
Contact your distributor or your local recycling center.







Contents

CONFORMITY	6
1. SAFETY RULES	7
2. USE	8
3. COMPONENTS IDENTIFICATION	8
4. CHARACTERISTICS OF THE MACHINE	9
5. INSTALLATION	10
6. ELECTRICAL CONNECTION	10
7. HYDRAULIC CONNECTION	12
8. START-UP	14
9. COFFEE PREPARATION	15
10. PROGRAMMING DOSE OF COFFEE	17
11. PREPARATION OF THE CAPPUCCINO	18
12. PREPARATION OF HOT WATER	19
13. CONFIGURATION MENU	20
14. USE OF THE BABYT APP - CONNECTING THE MACHINE	22
15. MAINTENANCE AND CLEANING	23
16. WARRANTY	24

Regulations - EC Declaration of Conformity

**Ascaso Factory S.L.U**

Coneixement 1 Pol. Ind. GaváPark
08850 Gavá / Barcelona / Spain

As a manufacturer of coffee machines, we hereby declare that:

Type: Coffee machine

Model:

Series no:

ASCASO FACTORY SLU declares under its responsibility that the product Coffee machine for professional use to which this Declaration refers, in accordance with the provisions of the specific directives: 98/37/ CE - - Machine directive 73/23 / CEE, 93 / 68 / CEE - Low Voltage Directive 89/336 / CEE, 93/68 / CEE, 92/31/CEE - - EMC Directive 97/23 / - Pressure Equipment Directive (PED) and conforms to the following standards: EN 292 -1, EN292-2, EN 60335-1, EN 60335-2-15, EN 55014, EN 61000-3, EN 61000-4, EN 50141, EN55104 Harmonized EN standards.

This declaration loses its validity if the appliance is modified without the express written authorization of the manufacturer, or if it has been used in any other way than as directed by the User Manual and instructions. The technical file has been stored by the R&D Manager at the company's registered address.

Registered address:

Ascaso Factory S.L.U

Coneixement 1 Pol. Ind. GaváPark

08850 Gavá / Barcelona / Spain

Date: 01/09/2020

.....
(Operations Manager)



I - Safety rules

- Before connecting the machine, check the distribution mains.
- You cannot use extension cords, adapters or multiple plugs for your connection.
- Check that there is an earth connection and an efficient electrical safety device.
- Place the machine on a flat and stable surface, inaccessible to children or animals and away from hot surfaces.
- Use in environments that exceed 5°C of temperature.
- This appliance is designed to be permanently connected to the water supply.
- Never start a defective appliance or with a mains cable in poor condition.
- Do not obstruct the ventilation grilles, in particular, do not cover the hot-cup surface with cloths or other objects.
- Do not intervene for cleaning or maintenance work with the plug plugged in.
- Do not unplug the coffee machine by pulling on the power cord.
- Do not allow the device to be manipulated by children or inexperienced persons.
- Do not handle the appliance with wet or damp hands or feet.
- Do not immerse the appliance in water.
- Do not leave the packaging material (bags, nails, cardboard) within the reach of children.
- The packaged machine must be stored in one place, dry and without moisture.
- Avoid placing heavy packages of another type on the packaging.
- Use only accessories and spare parts authorized by the manufacturer.
- In the event of a malfunction or malfunction, switch off the appliance and unplug it from the mains.
- Do not attempt to repair or intervene directly. Call your technical service.
- An incorrect installation can cause damage to people and objects, of which the manufacturer cannot be held responsible.
- Failure to respect these warnings can compromise the safety of both the device and the user.
- Save this Instruction manual.

2 - Use

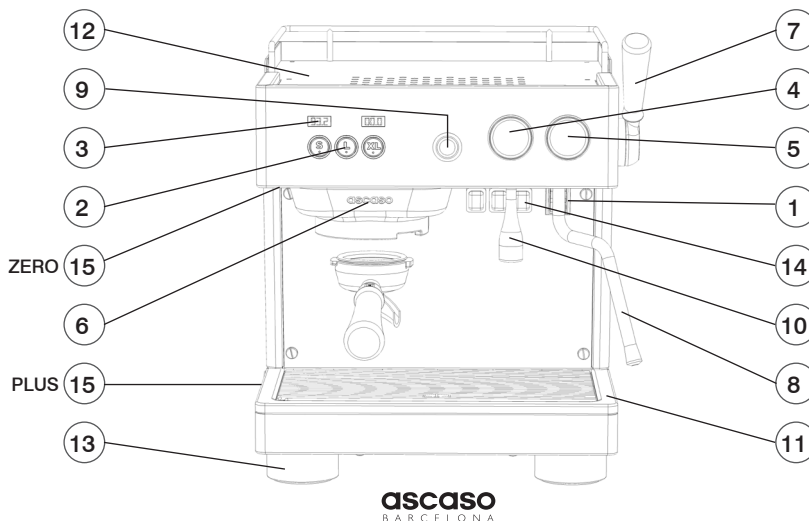
The machines have been designed, manufactured and protected to be used as machines to prepare espresso coffee and hot drinks (tea, cappuccino, chamomile, etc.); all other use must be considered improper and therefore dangerous.

IMPORTANT!

The manufacturer declines all liability for damages to persons or things due to improper, erroneous or unreasonable use.

3 - Components identification

1. General switch
2. Buttons groups
3. Group information screens
4. Pump pressure gauge
5. Boiler pressure gauge
6. Coffee group distribution unit
7. Steam tap control
8. Steam tube
9. Hot water switch
10. Hot water outlet
11. Tray
12. Cup-warmer
13. Legs (chrome in the PLUS model, rubber in the ZERO model)
14. Light switch and cup warmer
15. Pump operating pressure regulator





4 - Characteristics of the machine

The machines of the BABY T series have been designed to prepare espresso and hot drinks.

The operating principle consists of a pump inside the machine (volumetric in the PLUS model and vibrating in the ZERO model) which feeds the hot water and steam boiler and the coffee group. By using the controls, the water is sent to the external distribution units in the form of either hot water or steam, whichever is required.

The water to be used to prepare the drinks is taken at the moment of the water network (in the PLUS model only) or the reservoir (ZERO and PLUS models), pressurized by the pump, passing through a pre-heating circuit through the hot water / steam boiler (in the PLUS model only), and its temperature is finally raised from the temperature from pre-heating to working by a heat exchanger.

Both the distribution unit and the hot water/steam boiler can have different working temperatures, as well as different and separate configuration parameters, in order to optimise the machine's performance according to the user's requirements.

The machine is formed by a supporting structure in steel to which the mechanical and electrical components are fixed. This frame is covered in baked enamel iron plate and stainless steel. The productive operations are carried out on the front of the machine and the controls, the control devices and the coffee brewing groups are located. In the upper part of the machine there is a surface destined to heat the cups.

	BABY T ZERO	BABY T PLUS
Voltage	230/120V 50/60Hz	
Power (w)	2.400 (230V) / 1.800 (120V)	
Steam boiler (w)	1200	
Coffee group (w)	1000	
Steam boiler		
Max. Pressure (mpa)	0,27	
Working pressure (mpa)	0,18	
Volume (l)	2,3	
Size (mm)	350x380x430	350x450x430
Weight (kg)	35	
Water inlet	Reservoir	Reservoir + mains
Min/max pressure (mpa)	-	0,1 / 0,6
Drain pipe diameter (mm)	16 (optional)	
1 Coffee filter holder	1	
2 Coffees filter holder	1	
Super Cream Filter - 1 coffee	1	
Super Cream Filter - 2 coffees	1	
Blind filter	1	
Tamper	1	
Incoming water pipe		1



5 – Installation

The machine should be installed on a surface at least 1.2 m high. The surface on which the machine is placed should be level, dry and stable. Machines come with height-adjustable feet.

This appliance is not suitable to be installed in an area where a water jet could be used, nor to be installed outdoors. This device is only suitable for installation in places where its use and maintenance is restricted to qualified personnel.

To ensure correct use, the machine must be installed in places where the ambient temperature is between + 5°C / + 32°C and the humidity does not exceed 70%.

It is advisable to leave a space around the machine in order to speed up maintenance work, as well as the space for the coffee grinder.

In order to avoid the freezing of water in the machine, avoid installing it in places with an ambient temperature equal to or lower than 0°C. In case of freezing do not use the machine and contact the manufacturer.

The appliance must be powered exclusively with potable and cold water in accordance with current legislation. The pressure of the water network must be between 0.1 and 0.6 MPa. If this requirement is not met, consult the manufacturer. Between the water network and the feeding tube of the machine, a stopcock must be installed in order to interrupt the supply when necessary.

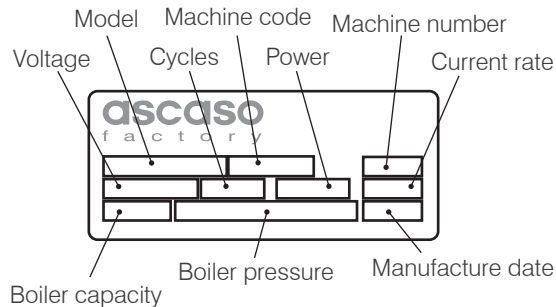
The water and steam expelled by the machine's tubes are extremely hot and can cause serious injury.

Any failure to comply with the instructions and warnings given by the manufacture may invalidate the machine's warranty.

6 – Electrical connection

The machine is supplied ready for connection according to the required specifications.

Before connecting the machine, make sure that the data on the rating plate correspond to those of the electrical distribution network.



If the power cord is damaged, it must be replaced by the manufacturer, by its after-sales service or by similar qualified personnel in order to avoid a danger.

The power supply cable must be connected to the connection provided according to current regulations.

Disconnecting means must be incorporated into the fixed installation in accordance with the installation regulations.

IMPORTANT!

The machine must be connected to a properly earthed connection.

Check that the electricity system can support the machine's power requirements before turning it on. It is possible to limit the maximum power of the machine using the configuration software, limiting the number of heating elements that work at the same time (see Section 12).

The power and amperage table, based on the configuration of the number of heating elements working at the same time, is given below:

	Coffee (W)	Steam (W)	Total A	CE Parameter		
				1	2	3
BABY T 230V	1 x 1000	1 x 1200	10	5,5 A	10A	10A
BABY T 110V	1 x 1000	2 x 600	20	9 A	12 A	20 A

The standard configuration of this CE parameter is CE=2 for all models.

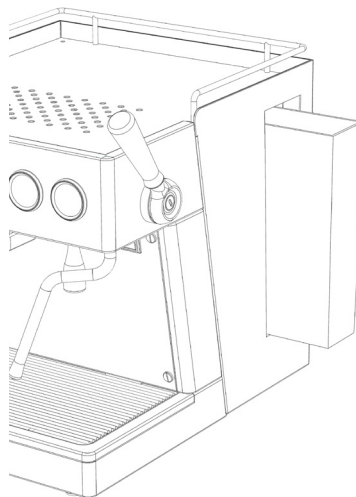


7 – Water connection

This machine has different connection options, either to the MAINS or the RESERVOIR, depending on the model, whether ZERO or PLUS. Before starting it up, check the model of your machine.

The Baby T ZERO only has the option of using water from the RESERVOIR. You will find this on the right-hand side of the machine. To start it up:

1. Fill the reservoir with fresh water.
2. Check that the water inlet pipe is fully submerged in the reservoir.
3. Check that the reservoir is filled with enough water. If you operate the coffee machine without water, it can damage the pump.



IMPORTANT!

The machine has an electronic water level control in the reservoir; once the water has gone below the minimum level, a warning light will appear (see Section 12).

We recommend using water with a low mineral content. The quality of the water affects the flavour and quality of the coffee, and also helps to prevent malfunctions in the future. Check out our special anti-limescale filters (optional).

Recommended water parameters for using with a mains connection:

T.D.S.	90-150 ppm	pH	6.5-8
Total hardness	70-100 ppm	Alkalinity	40-80 ppm
Total iron	0-0.22 ppm	Chlorine	0-30 ppm
Free chlorine	0-0.05 ppm	Mains pressure	0.1-0.6 MPa
Total chlorine	0-0.1 ppm	Flow rate	8 l/min

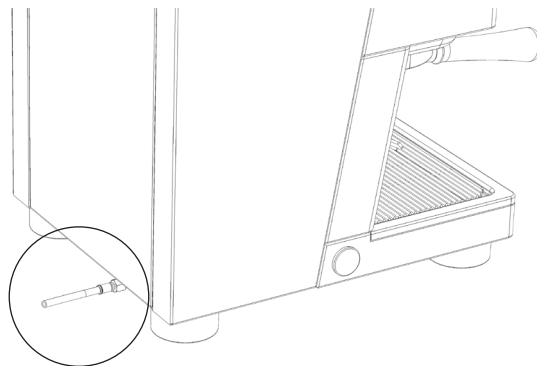


In addition to a reservoir connection, the Baby T PLUS has a direct connection to the water MAINS. It is possible to configure the machine one way or another by configuring the EP parameter in the settings menu (see Section 12).

To connect the machine to the MAINS water, follow the steps below:

1. Connect the end of the flexible hose (1/8" H connection) to the machine. The connector is located underneath the machine at the back (see diagram).
2. Connect the end of the flexible hose (3/8" H connection) to the mains water inlet. If you have installed a water treatment system, connect the hose to the outlet of that system.

Once the water inlet and drain connections have been made, open the MAINS tap of the installation to proceed with the start-up.



IMPORTANT!

If you are going to use the MAINS water connection, you must install a stopcock to stop the flow of water to the machine when necessary.

IMPORTANT: Do not feed the coffee machine with water below 10° Fr hardness.

As an option, this model offers the possibility of a drainage outlet. If you have this option (KIT.368), be sure to affix the accessory to adjust the height of the machine's legs, and connect the free end of the drainage pipe provided with the optional KIT at the general drainage outlet installed previously. You should also be sure to facilitate the drainage of water from the tray (11) by dismantling the plug at the back.

Once the water inlet and drain connections have been made, open the MAINS tap of the installation to proceed with the start-up.



8 – Start-up

IMPORTANT!

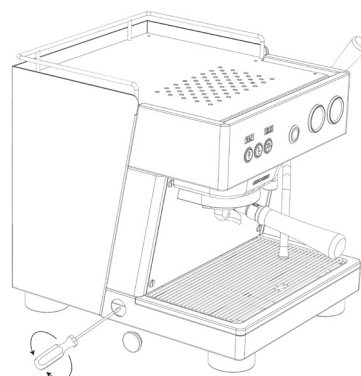
Before turning on the machine, be sure to check Sections 5 and 6 of this Manual.

Set the main switch (1) to the “ON” position and automatically the machine will proceed to fill the boiler to the set level. Once the filling process has been completed, the water will be heated up to the working temperature and pressure.

Pump pressure regulation (PLUS model):

The pump is factory-set to 9 bar pressure. If it is necessary to adjust it, proceed as instructed below:

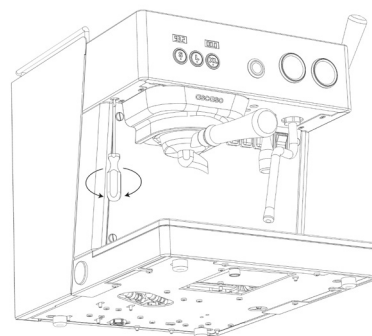
1. Remove the plastic cap located on the side panel of the machine.
2. With the help of a screwdriver, turn the pump screw. In a clockwise direction, the pressure is increased. Counter clockwise decreases the pressure (see Diagram 3).
3. Check the pump pressure on the pressure gauge (4) located at the front of the machine.



Regulation of the OPV valve (working pressure of the coffee pump in the ZERO model):

The OPV valve (15) is a component that regulates the maximum operating pressure of the machine when making coffee. This pressure should never exceed 12 bar. The valve is regulated at 10 bar in the factory. If you need to change it, follow the instructions given below:

1. Fit the filter holder fitted with the blind filter in the coffee group.
2. Start the group up and turn the regulator of the OPV valve (15) until the reading on the pressure gauge (4) has reached the required figure. Turning the regulator to the right increases the operating pressure, and to the left the pressure decreases (see Diagram 3).



From this moment, it will be necessary to wait until the temperature of the coffee group reaches the set point (shown in the specific display of each group (3) dedicated to the temperature) in order to start making coffee, and until the temperature of the steam/hot water boiler reaches the set point (the pressure gauge will show a pressure between 1



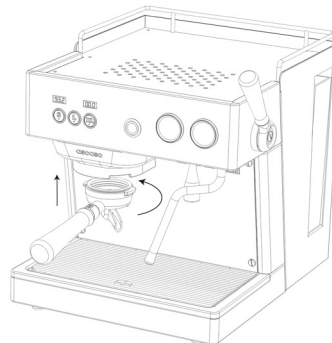
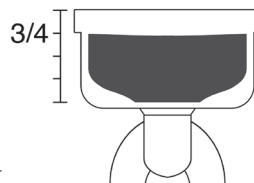
and 1.5 bar depending on the set point) in order to start using the hot water or steam function.

9 – Coffee preparation

You can use any type of coffee. For optimal results, we recommend using mixtures prepared for the preparation of espresso coffee since the grinding point will be adequate. If the coffee comes out very quickly or very slowly, it will be necessary to change the type of coffee for another fine or coarser grind and experiment with the pressing according to our preferences.

The steps to follow are:

1. Connect the machine.
2. The 3 keys of the keypad must be permanently illuminated, which indicates that the coffee machine has reached the ideal temperature to make coffee.
3. Press the XL key (continuous coffee output) of the keypad and let water through the group. Do this action before making coffee, eliminate waste and balance the temperature for optimal service.
4. Fit the filter holder (with a filter) in the group (6). The filter must be filled 3/4 of its capacity, once pressed (see Diagram 5).
5. Clean coffee residues that have been deposited on the edges of the filter so that the adjustment is perfect.
6. Insert the filter holder in the group (6) starting from your left and turning to the right with enough final pressure (see Diagram 6).
7. Place the cups or cup on the rack and press the keypad in the desired selection. The perfect extraction of an espresso requires 20/25 seconds.



IMPORTANT!

Even though the button pad has only three keys, the first two (S, L) have two selections each depending on whether you press them once or twice. When you press them twice, the key colour changes from white to blue.

To obtain an optimum coffee extraction quality, always use the appropriate filter for 1 or 2 coffees.

ATTENTION!

If the coffee comes out very fast or very slowly, it will be necessary to change the grind of the finest or thickest coffee and experiment with the pressing according to our preferences.

GENERAL ADVICE

1. The filter holder must always be placed on the machine to keep it warm. In closed position.
2. Place the cups on the cup-warmer. The temperature (optimum 40°C / 105°F) will improve our espresso.
3. The coffee will continue to come out in small drops a few seconds after turning off the coffee breaker.
4. It is advisable to grind the amount of coffee needed at the time it is needed because the ground coffee quickly loses its aroma qualities and the fatty substances contained in the coffee become rancid.



10 – Programming dose of coffee



To programme the amount of coffee, with the machine on and ready to make coffee (keys of the keypad permanently lit), press the programming button XL for 5 or 6 seconds until it is lit intermittently while the rest of the keys are illuminated in a fixed manner in pale blue. Then follow the steps given below:

1. Click on the section you want to programme. The machine will start operating.
Important! Each of the S and L keys has two selections, depending on whether you press them once or twice. When programming, you should follow the same process: if you press the keys once, you programme the single selection (the key lights up in white during the volume adjustment), and if you press the keys twice, for a double selection, the key turns blue during the volume adjustment.
2. Press the key once again as soon as you have reached the desired volume to stop it at that point.
IMPORTANT! So you know which selection has been set on each key, take a look at the colour of the key. If it is pale blue, it means you have not set either of the two selections. If it is dark blue, it means you have set the single version. When you have set the two selections of a key, the illumination will disappear to show that the settings have been completed.
3. Once you have set the dose, to finish the process press the XL key – the S and L keys will then turn white.
4. Press the XL key twice to go back to the operating mode of the machine.
Important! If, instead of this last step, you press the S or L key, it may change the machine's configuration. If this happens and the machine does not work properly (e.g. the pump is not activated), repeat the settings process and complete it correctly, or do a machine reset.

11 – Preparation of the cappuccino

The true “cappuccino” is composed of 25 milliliters of espresso coffee and 125 milliliters of cold milk mounted with steam, which will go from 3 or 4 degrees Celsius to about 55 degrees Celsius. The milk must be bovine and fresh with a protein content of 3.2 percent and 3.5 percent fat, and assembled - just the amount needed for a cup - in a steel container (jar) to avoid mixing with other scents or flavors.

The density of the cream has to be uniform without there being a separation with the liquid, nor can it present holes or bubbles.

PREPARATION

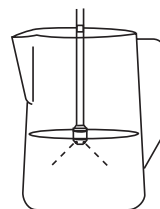
- The pressure gauge will indicate the pressure of the boiler 1.2 / 1.5 bar. The boiler will be ready to dispense water and steam (approximately 20/22 min.)
- Turn the steam knob (7). It is normal that at the beginning of the steam service a little water comes out of the pipe, so we recommend that you position the pipe in the drain pan.
- Insert the tube into the milk to be heated. Fill up to 1/3 of the jar.

1) TEXTURE: Getting cream

To obtain the consistency called “velvet”, the cappuccinator tube should be placed just below the surface of the milk.

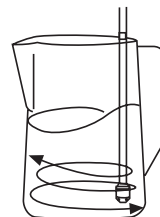
Open the steam control and move the tube at different angles (always under the surface of the milk) to achieve an emulsion effect thanks to air circulation. Once textured, the volume of milk can be doubled.

Please remember to move the jug and steam tube, always making sure it works in the most superficial area of the milk. After this operation, the milk is textured but is still cold.



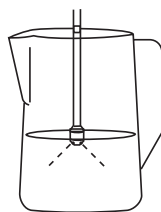
2) TEMPERATURE: Heating the milk

Once the texture is obtained, we submerge the steam tube (10) in the jug deeper. We make circular movements to heat the milk in all its volume until it reaches the desired temperature.

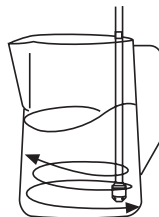


IMPORTANT!

Texturing should be done beneath the surface of the milk, while the nozzle should be placed deeper for heating.



Texture



Heating

Remember not to heat the milk to more than 75°C. From this temperature the milk will be blanched and lose its properties for the cappuccino.

Once the operation is finished, turn the knob (7) to close the steam outlet.

ADVICE: The espresso is extracted at 75-80°C. The milk is textured and hot between 55°C-70°C. It is important to keep these temperatures when serving, so the cups must be heated using the cup-warmer zone of the coffee maker. If this is not possible, warm the cup with hot water before using it.

Once we have the hot and textured milk, we are ready to serve it in the cup, adding it to our espresso base.

POSSIBLE PROBLEMS.

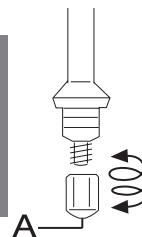
The cream can be excessively thin and without consistency.

- 1) One of the reasons may be that the milk had already warmed up in advance.
- 2) The milk has been heated too much (the steam tube is placed deeper in the jar and the milk is heated without letting the air circulate on the surface) before having achieved the desirable texture. We have not done step 1 correctly: TEXTURING and we have not let the air work the milk.

Attention! If you have used the steam or water service for a long period without interruption and observe that the output pressure drops, wait a few moments for the boiler to recover. The optimum pressure is 1 / 1.5 bar.

IMPORTANT!

After each use it is advisable to let steam out for 5 seconds to clean the duct and prevent it from becoming clogged. To clean the absorption holes (A) you can use a clip. Make sure that the tube is free of obstacles.



12 – Preparation of hot water

Put a cup or container under the water outlet. Turn on the hot water outlet switch (9) to get water. Turn the switch off to stop the water coming out when you have obtained the desired amount.



13 – Configuration menu

The Baby T ZERO and Baby T PLUS models have two independent displays above the group button pad with which you can control the following parameters:

Parameter	Description
t	Set point temperature of the coffee group, shown on the left screen during the operation of the machine.
tc	Temperature of the steam boiler
tec	Sub-menu with temperature control configuration parameters, including P / I / d / b / Ce
P/I/d/b	Configuration parameters of the PID temperature control.
ce	Power configuration parameter. Depending on this parameter (number between 1 and 3) we indicate to the machine how many elements can work at the same time, always prioritizing those of the coffee groups. See power limitation table to see the different options in section 5 - electrical connection.
teE	Steam boiler's temperature in stand-by mode
tiE	Inactivity time after which the temperature of the steam boiler is set to the stand-by one (TeE parameter). If this value is set to 0, stand-by function is deactivated.
Ud	Units of measure: Degrees Celsius (C) or Farenheit (F)
Px	Pre-infusion of the selection x (x = 1,2,3,4) of the button, configurable between 0 and 5 seconds. For example, P1 is the pre-infusion time (pump ON) of selection 1. Pump time OFF is always 3s. Selection 5 (XL, continuous delivery) does not have pre-infusion time. Note: Options P1 and P2 correspond to the normal functions of the S and L keys respectively, while the P3 and P4 options correspond to the double function of the S and L keys respectively.
Cr	Stopwatch activated or deactivated. When activated, it is displayed on the right screen during the operation of the machine.
u	Temperature correction parameter; this allows an offset to be introduced between the actual temperature and the one shown on the group's display.
Ac	Steam boiler activated / deactivated
EP	Allows the hydraulic connection to be configured as MAINS (red) or RESERVOIR (dep).
SP	Indicates the number of partial services (since the last reset to 0). Note: This option counts the number of coffees made, not the number of times the keys are pressed, so the double selection will count as two coffees.
ST	Indicates the number of total services of the machine.



To enter programming mode, we must press key 3 and immediately and without releasing this one press also key 2 (counting from the left) of the first keypad. The 3 keys and the displays will be off. Then press key 3 for 10 seconds. Then the display on the left will show the different programming options according to the previous table.

Use key 2 to move forward and key 1 to move backward between the different options. Use key 5 to enter the selected option to change the value programmed previously. Once inside the option to modify, with the keys 1 and 2 we increase / decrease the value of it, and with the key 3 we confirm the modification, returning to the programming menu.

To exit the programming menu, we must search for the ESC option and select it using the 3 key. The keypads and displays will be off. We must activate them again by pressing the 2 key.

IMPORTANT!

We can reset the programming parameters by pressing keys 1, 2 and 3 on the button pad with the machine turned off. Without releasing them, we activate the general switch until the Prt text appears on the group one screen. Then, we release the keys, and turn off and on again the machine.

IMPORTANT!

Alarms. The displays on each keypad also give information about the problems that may arise in the different components through the following list of alarms.

AL1	Refill water tank level
AL2	Group flow meter fault
AL3	Probe temperature group fault
AL4	Group element fault
AL5	Circuit fault
AL6	Maximum filling boiler time
AL7	Boiler temperature gauge fault
AL8	Boiler element fault

IMPORTANT!

It is possible to activate the machine so that only the keypads and screen are illuminated, disconnecting the elements and alarms. To connect the machine in this way, with the machine off, press keys 1 and 2 of the button pad, and keep them pressed while activating the main switch, until the keypads and screen are illuminated. To deactivate, we must repeat the same operation.

14 - Use of the Baby T app – connecting the machine

The electronic configuration of the Baby T ZERO and Baby T PLUS models can be done using a mobile device with the corresponding app. You can download the app from the Ascaso Factory website or from your usual app store.

Using the app, you can control parameters such as:

- General settings: model, measurement unit, hydraulic connection system, machine ON/OFF, coffee group and steam boiler.
- Temperature settings: coffee group, steam boiler, bypass and standby.
- Dose/pre-infusion settings: volume and time of the pre-infusion for the selections available (4 in total), as well as activation of automatic flush using the XL key.
- Programming the machine's automatic off/on switch.
- Statistics: reading and reset to zero of coffee counters for each selection (4) and the total figures.

To connect with the machine from your mobile device, follow the steps given below:

1. Enable the Bluetooth function on your mobile device.
2. Enable the Ascaso Baby T app.
3. Select the **Connect** option in the main menu. A list of available devices will appear. Find the coffee machine under the ASCASOXXXX number, where XXXX corresponds to the serial number of the machine's Bluetooth module (e.g. ASCASO0000).
4. **Important!** The authorisation code for the connection is 8483.
5. Once you are connected, select the **Read Machine** option in the main menu.
6. When you have finished setting the parameters, select the **Send to Machine** option to send them to the machine.
7. Select the **Log out** option to finish the process.

The app is completely intuitive to use.



15 – Maintenance and cleaning

The cleaning and preventive care of the internal system of your machine is vital to obtain an espresso of optimum quality.

General warning! Cleaning and maintenance must be carried out when the appliance is cold and disconnected from the mains. Do not immerse the appliance in water. Not suitable for cleaning in the dishwasher.

1) DAILY CLEANING

- To clean the outside of the machine, use specific products for stainless steel.
- Never clean the screens with alcohol.
- Remove the tray periodically to clean it.
- Immediately after use, clean the steam tube with a damp cloth.
- At the end of the day, clean the steam tube, removing the remaining milk. To do this, prepare one of the specific cleaner for vapor tubes Ascaso V.8410 following the dosage indicated on the product. Once prepared, proceed to clean the tube following the instructions of the cleaning product, without forgetting to repeat the process with clean water to remove remains of product from the steam tube.
- Drain bowl. Clean the bowl of coffee residues and residues by picking them up with a spoon.

2) WEEKLY CLEANING

- Clean the coffee group shower and gasket weekly. Use the Ascaso special brush code V.26 to clean the showers and the filter holder seals.
- Filters and filter holders, weekly. Prepare a solution with detergent ref. V.8401 or V.8402, following the instructions on the product. Immerse the filters and filter holders in the solution and leave to soak for at least 20 minutes, and preferably overnight. Remove from solution and rinse thoroughly in clean water.
- Cleaning internal components, weekly periodicity. With the machine running, replace the coffee filter in the filter holder with the supplied blind filter. Use cleaning product ref. V.8401 or V.8402, following instructions specified on it. This process dissolves the dust contained in the blind filter, cleaning the ducts and the solenoid valve, as well as the showers and diffusers of the group. You can repeat this process as many times as necessary and until clean water appears through the discharge of the group.

Once finished, remove the filter holder and operate the group for 30 seconds, passing clean water.



3) AUTOMATIC CLEANING OF COFFEE GROUPS

In order to activate the automatic cleaning system of the coffee group we must press key 3 and immediately and without releasing this one press also key 1 on the button pad. Panel belonging to the group we want to clean. Then it will start the cleaning process consisting of 10 consecutive rinsing of 10 seconds, with a 3s delay between them. If we need to stop the process before its end, we must press key 3.

4) CLEANING THE BOILER

Depending on the use and hardness of the water used, it will be necessary to clean the steam boiler. To do this, use the cleaning product V.8412 following the instructions specified on it.

16 – Warranty

The guarantee will be the purchase invoice itself. Keep it. You will have to present it in the Assistance Service if a breakdown should arise.

This device is guaranteed by the distributor, from the date of purchase against any manufacturing defect or material used.

The amount of postage and packaging that may arise, will be charged to the user.

This guarantee will not be valid if:

1. You do not have the invoice.
2. It misuses the machine.
3. There has been an accumulation of scale or lack of cleaning of the machine.
4. The device has been dismantled by personnel other than the Ascaso Official Technical Assistance Network.



ENGLISH

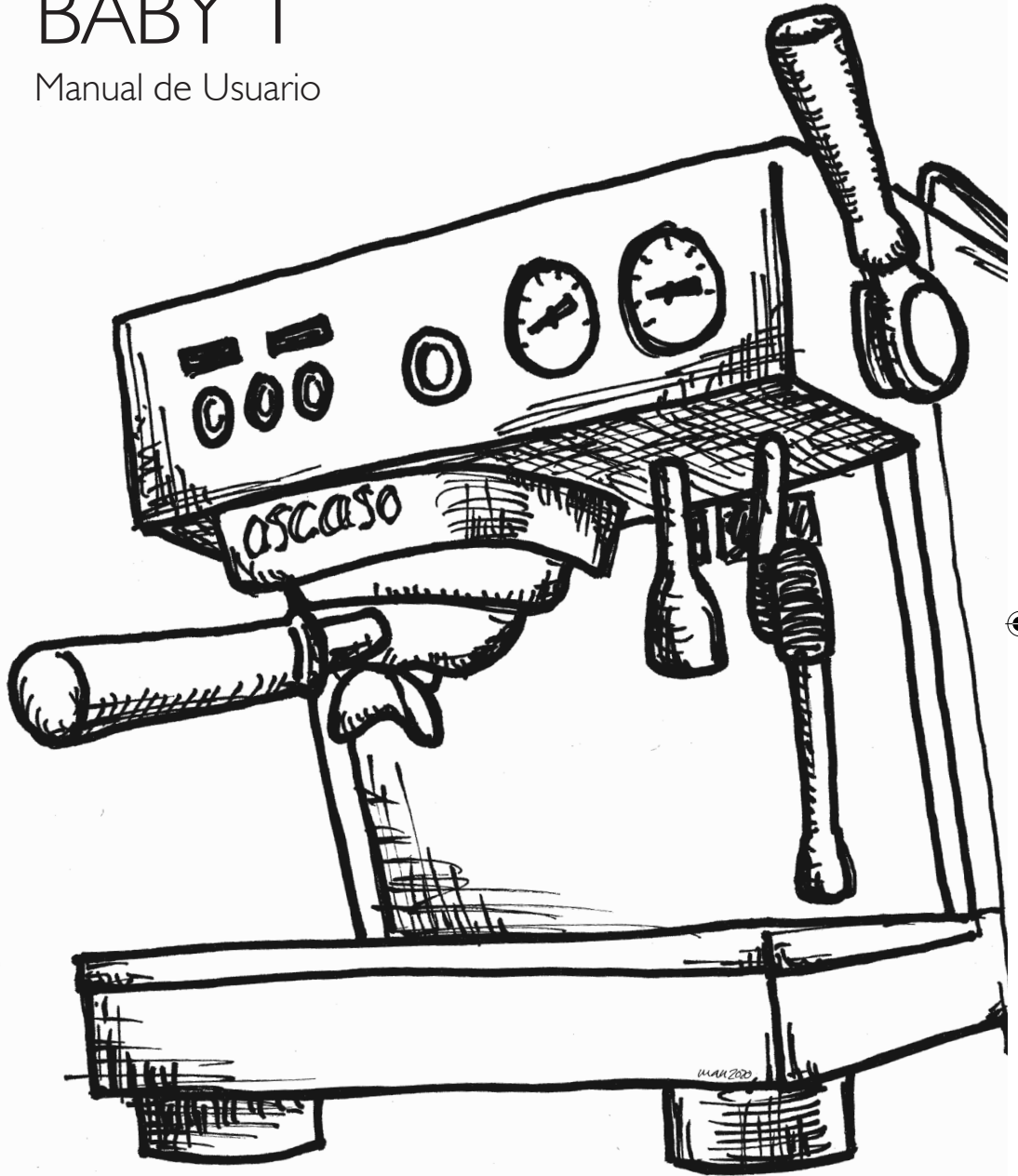






BABY T

Manual de Usuario



ascaso
BARCELONA





¡Gracias!

Gracias por haber adquirido un producto **ascaso**. Con él podrá obtener el mejor café espresso y deliciosos cappuccinos.

Su máquina de café ha sido diseñada y construida aplicando las últimas innovaciones tecnológicas, tanto en el ámbito informático como de ingeniería, por lo que el resultado es un producto de alta calidad, seguro y fiable.

Reciclaje de su cafetera

Las cafeteras pueden contener materiales reciclables.

Contacte con su distribuidor o con el centro de reciclaje de su localidad.





Contenido

CONFORMIDAD	32
1. NORMAS DE SEGURIDAD	33
2. USO	34
3. IDENTIFICACIÓN DE COMPONENTES	34
4. CARACTERÍSTICAS DE LA MÁQUINA	35
5. INSTALACIÓN	36
6. CONEXIÓN ELÉCTRICA	36
7. CONEXIÓN HIDRÁULICA	39
8. PUESTA EN MARCHA	40
9. PREPARACIÓN DE CAFÉ	41
10. PROGRAMACIÓN DE LA DOSIS DE CAFÉ	43
11. PREPARACIÓN DEL CAPUCCINO	44
12. PREPARACIÓN DE AGUA CALIENTE	45
13. MENÚ DE CONFIGURACIÓN	46
14. USO DE LA APP BABYT - CONEXIÓN DE LA MÁQUINA	48
15. MANTENIMIENTO Y LIMPIEZA	49
16. GARANTIA	51

ESPAÑOL



Normativa – Declaración de conformidad CE

ESPAÑOL



Ascaso Factory S.L.U

Coneixement 1 Pol. Ind. GaváPark
08850 Gavá / Barcelona / Spain

Como fabricante de máquinas de café, declara que:

Tipo: Máquina de café

Modelo:

Nº serie:

ASCASO FACTORY SLU declara bajo su responsabilidad que el producto Máquina para café de uso profesional al cual se refiere esta Declaración, de acuerdo con lo prescrito por las específicas directivas: 98/37/CE - - Directiva máquina 73/23/CEE, 93/68/CEE - Directiva Baja Tensión 89/336/CEE, 93/68/CEE, 92/31/CEE - - Directiva EMC 97/23/ - Directiva equipos de presión (PED) y es conforme a las siguientes normas: EN 292-1, EN292-2, EN 60335-1, EN 60335-2-15, EN 55014, EN 61000-3, EN 61000-4, EN 50141, EN55104 Normas EN armonizadas.

La presente declaración pierde su validez en el caso de que el aparato sea modificado sin expresa autorización del fabricante, o bien si ha sido instalado o utilizado de forma no conforme a lo indicado en el manual de uso y en las instrucciones. El expediente técnico ha sido archivado por "R&D Manager" en la sede legal.

Sede legal:

Ascaso Factory S.L.U

Coneixement 1 Pol. Ind. GaváPark
08850 Gavá / Barcelona / Spain

Fecha: 1/09/2020

.....
(Director Operaciones)





I - Normas de seguridad

- Antes de conectar la máquina comprobar la red eléctrica de distribución.
- No se pueden utilizar alargos, adaptadores o enchufes múltiples para su conexión.
- Compruebe que existe toma a tierra y un dispositivo de seguridad eléctrica eficiente.
- Coloque la máquina sobre una superficie plana y estable, inaccesible a niños o animales y alejadas de superficies calientes.
- Usar en ambientes que superen los 5°C de temperatura.
- Este aparato está previsto para estar permanentemente conectado al suministro de agua.
- Nunca poner en marcha un aparato defectuoso o con cable de alimentación en mal estado.
- No obstruir las rejillas de ventilación, en particular no tapar con paños u otros objetos la superficie caliente-tazas.
- No intervenir para trabajos de limpieza o mantenimiento con la clavija enchufada.
- No desconectar la máquina de café tirando del cable de alimentación.
- No permitir que el aparato sea manipulado por niños o personas inexpertas.
- No manipular el aparato con las manos o pies mojados o húmedos.
- No debe sumergir el aparato en agua.
- No dejar el material de embalaje (bolsas, clavos, cartones) al alcance de los niños.
- La máquina embalada debe almacenarse en un lugar, seco y sin humedad.
- Evitar de poner encima del embalaje bultos pesados de otro tipo.
- Utilizar sólo accesorios y repuestos autorizados por el fabricante.
- En caso de avería o mal funcionamiento apagar el aparato y desenchufarlo de la red.
- No se debe intentar repararlo o intervenir directamente. Llamar a su servicio técnico.
- Una instalación errónea puede ocasionar daños a personas y objetos, de los cuales el fabricante no puede ser considerado responsable.
- El no respetar estas advertencias puede comprometer la seguridad tanto del aparato como del usuario.
- Guarde este manual de Instrucciones.



2 - USO

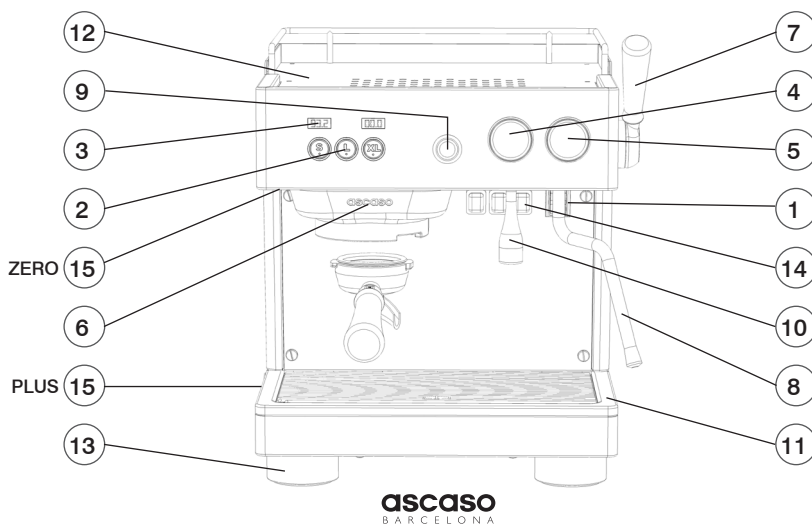
Las máquinas han sido diseñadas, fabricadas y protegidas para ser empleadas como máquinas para preparar café expreso y bebidas calientes (té, capuchino, manzanilla, etc.); todo otro uso ha de ser considerado impropio y por tanto peligroso.

ATENCIÓN!

El fabricante declina toda responsabilidad por daños a personas o cosas debidos a un uso impropio, errado o irrazonable.

3 - Identificación de componentes

1. Interruptor general
2. Botoneras grupos
3. Pantallas información grupos
4. Manómetro presión bomba
5. Manómetro presión caldera
6. Grupo erogador café
7. Mando grifo vapor
8. Tubo vapor
9. Interruptor agua caliente
10. Salida agua caliente
11. Bandeja
12. Superficie caliente-tazas
13. Patas (Cromadas en mod. PLUS, de goma en mod. ZERO)
14. Interruptor iluminación y caliente-tazas
15. Regulación de presión de trabajo de la bomba





4 - Características de la máquina

Las máquinas de la serie BABY T han sido diseñadas para preparar café espresso y bebidas calientes.

El principio de funcionamiento consiste en una bomba (volumétrica en modelo PLUS, vibratoria en modelo ZERO) en el interior de la máquina que alimenta la caldera de agua caliente y vapor, además del grupo de café. Accionando los mandos el agua es enviada a los erogadores externos en forma de agua caliente o vapor según las necesidades.

El agua a utilizar para preparar las bebidas es tomada al momento de la red hídrica (sólo en modelo PLUS) o del depósito (modelos ZERO y PLUS), presurizada por la bomba, pasando por un circuito de pre-calentamiento a través de la caldera de agua caliente/vapor (sólo en modelo PLUS), y siendo finalmente elevada su temperatura desde la temperatura de pre-calentamiento hasta la de trabajo por un intercambiador.

Tanto el grupo erogador como la caldera de agua caliente/vapor, pueden presentar una temperatura de trabajo diferente, así como diferentes parámetros de configuración independientes para optimizar el rendimiento de la máquina ante las necesidades del usuario.

La máquina está formada por una estructura portante en acero a la que se fijan los componentes mecánicos y eléctricos. Todo está cubierto con paneles de cobertura total realizados en chapa de hierro pintada al horno y en acero inoxidable. En la parte frontal de la máquina se realizan las operaciones productivas y están situados los mandos, los aparatos de control y los grupos de erogación de café. En la parte superior de la máquina hay una superficie destinada para calentar las tazas.

	BABY T ZERO	BABY T PLUS
Voltaje	230/120V 50/60Hz	
Potencia máxima (w)	2.400 (230V) / 1.800 (120V)	
Caldera vapor (w)	1200	
Grupo café (w)	1000	
Caldera vapor		
Presion maxima (mpa)	0,27	
Presion trabajo (mpa)	0,18	
Capacidad (l)	2,3	
Medidas (mm)	350x380x430	350x450x430
Peso (kg)	35	
Entrada agua	Depósito	Depósito+Red
Presion min/max (mpa)	-	0,1 / 0,6
Diametro desagüe (mm)	16 (opcional)	
Portafiltro 1 café	1	
Portafiltro 2 cafes	1	
Filtro Super Crema 1 café	1	
Filtro Super Crema 2 cafes	1	
Filtro ciego	1	
Tamper	1	
Flexo entrada agua		1



5 – Instalación

El aparato deberá instalarse de modo que la superficie de apoyo se encuentre a 1,20m de altura como mínimo. El plano de apoyo debe estar bien nivelado y seco, y ser estable. Las máquinas van provistas de pies regulables en altura.

Este aparato no es adecuado para ser instalado en un área donde podría ser usado un chorro de agua, ni ser instalado en el exterior. Este aparato es sólo apto para ser instalado en lugares donde su uso y mantenimiento esté restringido a personal cualificado.

Para garantizar un uso correcto, la máquina debe estar instalada en lugares donde la temperatura ambiente esté comprendida entre +5°C / +32°C y la humedad no sea superior al 70%.

Se aconseja dejar un espacio libre alrededor de la máquina con el fin de agilizar los trabajos de mantenimiento, así como del espacio destinado al molino de café.

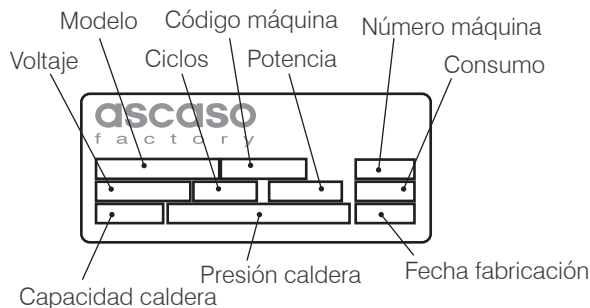
A fin de evitar la congelación del agua de la máquina, evitar su instalación en lugares con temperatura ambiente igual o inferior a 0°C. En caso de congelación no usar la máquina y contactar con el fabricante.

El aparato debe estar alimentado exclusivamente con agua potable y fría de conformidad con la legislación vigente. La presión de la red de agua deberá estar comprendida entre 0,1 y 0,6 MPa. Si no se cumple este requisito, consultar al fabricante. Entre la red de agua y el tubo de alimentación de la máquina, hay que instalar una llave de paso para poder interrumpir el suministro cuando sea necesario.

6 – Conexión eléctrica

La máquina se suministra lista para su conexión según las especificaciones requeridas.

Antes de conectar la máquina, asegurarse que los datos de la placa de características correspondan a los de la red de distribución eléctrica.





Si el cable de alimentación está dañado, deberá ser sustituido por el fabricante, por su servicio post-venta o por personal cualificado similar con el fin de evitar un peligro.

El cable de alimentación eléctrica debe ir conectado a la conexión predispuesta según la normativa vigente.

Deben ser incorporados medios de desconexión a la instalación fija de acuerdo con las reglamentaciones de instalación.

ATENCIÓN!

Es imprescindible la conexión de la máquina a una conexión a tierra, debidamente conectada.

Compruebe que su sistema eléctrico es capaz de soportar la potencia de la máquina antes de ponerla en funcionamiento. Es posible limitar la potencia máxima de la máquina mediante el software de configuración, limitando el número de resistencias que trabajan de manera simultánea (ver sección 12).

La tabla de potencias/amperaje en función de la configuración del número de resistencias que trabajan de manera simultánea es la siguiente:

	CAFE (W)	VAPOR (W)	A TOTAL	PARAMETRO CE		
				1	2	3
BABY T 230V	1 x 1000	1 x 1200	10	5,5 A	10A	10A
BABY T 110V	1 x 1000	2 x 600	20	9 A	12 A	20 A

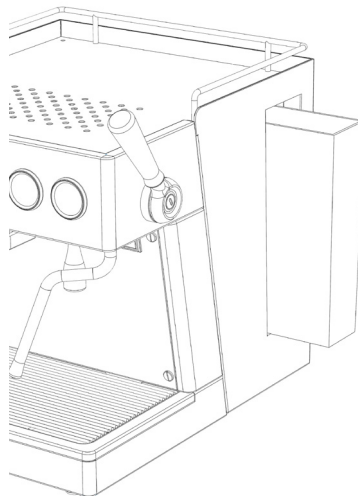
La configuración estándar de este parámetro CE es CE=2 para todos los modelos.

7 – Conexión hidráulica

Esta máquina dispone de diferentes opciones de conexión, RED o DEPOSITO, en función del modelo, ZERO o PLUS. Antes de realizar la puesta en marcha compruebe el modelo de su aparato.

Baby T ZERO únicamente dispone de la posibilidad de usar una conexión de agua a DEPOSITO. Podrá encontrar el mismo en el lateral derecho de la máquina. Para realizar la puesta en marcha:

1. Llenar el depósito con agua fresca .
2. Comprobar que el tubo de toma de agua está sumergido en el depósito.
3. Compruebe que el depósito tenga agua suficiente. Si se hace funcionar la cafetera sin agua se puede dañar la bomba.



ATENCIÓN!

La máquina dispone de control de nivel de agua en el depósito electrónico, una vez rebasado el mínimo se producirá un aviso luminoso (consultar sección 12).

Recomendamos utilizar agua de mineralización débil. La calidad de agua afectará al sabor y calidad de su café, además de evitar averías en el futuro. Consulte nuestros filtros especiales anti cal (opción).

Parámetros del agua recomendados para el uso de conexión a red:

T.D.S.	90-150 ppm	pH	6.5-8
Dureza total	70-100 ppm	Alcalinidad	40-80 ppm
Hierro total	0-0.02 ppm	Cloruro	0-30 ppm
Cloro libre	0-0.05 ppm	Presión de red	0.1-0.6 MPa
Cloro total	0-0.1 ppm	Caudal	8 l/min

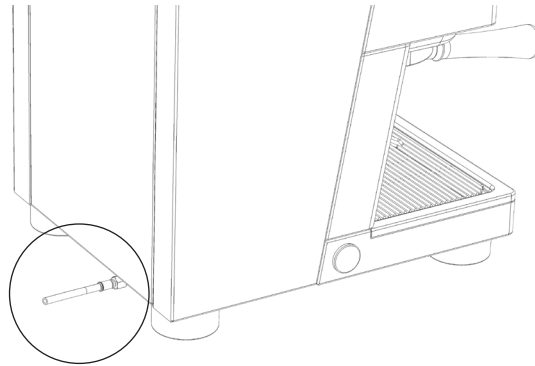


Baby T PLUS, además del sistema de conexión a depósito, permite también la conexión directa a la RED de agua. Es posible configurar la máquina de una u otra manera mediante la configuración del parámetro EP del menú de configuración (consultar sección 12).

Para realizar la conexión de la máquina a la RED de agua, seguir los siguientes pasos:

1. Conectar el extremo de la manguera flexible (conexión 1/8" H) a la máquina. El conector se encuentra bajo la máquina, en la parte trasera (ver dibujo).
2. Conectar el extremo de la manguera flexible (conexión 3/8" H) a la entrada de agua de la red. En caso de que se instale un sistema de tratamiento de agua, conectar la manguera a la salida de dicho sistema.

Una vez realizadas las conexiones de entrada de agua y desagüe, abriremos el grifo de RED de la instalación para poder realizar la puesta en marcha.



ATENCIÓN!

Si se va a usar la conexión de RED, es necesario disponer de un grifo para la interrupción del flujo del agua al aparato cuando sea necesario.

IMPORTANTE: No alimentar la máquina de café con agua por debajo de los 10° Fr de dureza.

Como opción, este modelo dispone de la posibilidad de disponer de toma de desagüe. Si dispone de esta opción (KIT.368), asegúrese de montar el suplemento de altura para las patas de la máquina, y conectar el extremo libre del tubo del desagüe suministrado con el KIT opcional a la toma del desagüe general previamente instalado. Asegúrese además de habilitar la salida de agua de la bandeja (11) desmontando el tapón situado en su parte trasera.

Una vez realizadas las conexiones de entrada de agua y desagüe, abriremos el grifo de RED de la instalación para poder realizar la puesta en marcha.





8 – Puesta en marcha

ATENCIÓN!

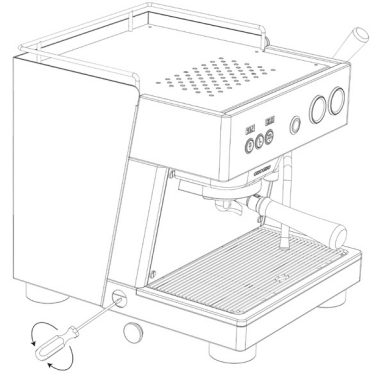
Antes de realizar la puesta en marcha del aparato, es necesario comprobar las secciones 5 y 6 de este manual.

Ponga el interruptor general (1) en la posición "ON" y automáticamente la máquina procederá al llenado de la caldera hasta el nivel fijado. Una vez haya finalizado el proceso de llenado, se empezará a calentar el agua hasta la temperatura y presión de trabajo.

Regulación de la presión de bomba (modelo PLUS):

La bomba viene regulada de fábrica a 9 bares de presión. Si fuera necesario regularla, proceda como le indicamos a continuación:

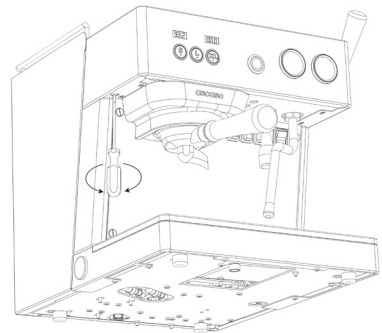
1. Quitar el tapón de plástico situado en el panel lateral de la máquina.
2. Con la ayuda de un destornillador, girar el tornillo de la bomba. En sentido a las agujas del reloj, se aumenta la presión. En sentido contrario a las agujas del reloj, disminuye la presión (ver dibujo 3).
3. Comprobar la presión de la bomba mediante la lectura del manómetro (4) situado en el frontal de la máquina.



Regulación de la válvula OPV (presión de trabajo de la bomba de café, modelo ZERO):

La válvula OPV (15) es un componente que limita la presión máxima de trabajo de la máquina al hacer café. Dicha presión no debe exceder nunca de los 12 bares. La válvula está regulada a 10 bares en fábrica. Si fuera necesario ajustarla siga las siguientes indicaciones:

1. Colocar el porta filtros provisto del filtro ciego en el grupo de café.
2. Poner en marcha el grupo y girar el regulador de la válvula OPV (15) hasta que la lectura del manómetro de presión de bomba (4) sea la deseada. Girando el regulador hacia la derecha la presión de trabajo aumenta, y hacia la izquierda disminuye (ver dibujo 3).





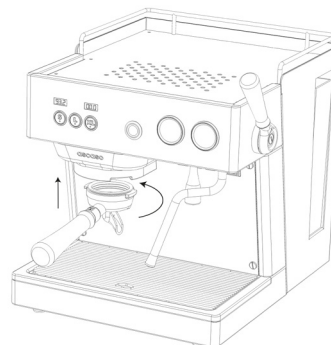
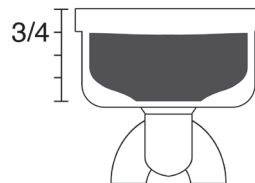
A partir de este momento, habrá que esperar a que la temperatura del grupo de café llegue a la consigna para poder empezar a hacer café (indicado a través del display específico (3) dedicado a la temperatura) y a que la temperatura de la caldera de agua caliente y vapor llegue al valor establecido (el manómetro indicará una presión entre 1 y 1.5 bar en función de la temperatura programada) para poder utilizar el servicio de agua caliente y vapor.

9 – Preparación del café

Puede utilizar cualquier tipo de café. Para resultados óptimos, aconsejamos utilice mezclas preparadas para la elaboración de café "espresso" ya que el punto de molido será el adecuado. Si el café sale muy rápida o muy lentamente, hará falta cambiar el tipo de café por otro molido más fino o más grueso y experimentar con el prensado según nuestras preferencias.

Los pasos a seguir son:

1. Conectar la máquina.
2. Las 3 teclas de la botonera deben estar iluminadas de manera permanente, lo que indica que la cafetera ha alcanzado la temperatura idónea para hacer café.
3. Accionar la tecla XL (salida de café continuo) de la botonera y dejar pasar agua por el grupo. Realizar esta acción antes de hacer el café, eliminará residuos y equilibrará la temperatura para un óptimo servicio.
4. Colocar el porta filtro (con filtro) en el grupo (6). El cacillo debe quedar lleno 3/4 partes de su capacidad, una vez prensado (Ver dibujo 5).
5. Limpiar los residuos de café que se hayan depositado en los bordes del cacillo para que el ajuste sea perfecto.
6. Introducir el porta filtro en el grupo (6) partiendo de su izquierda y girando hacia la derecha con la suficiente presión final. (Ver dibujo 6).
7. Colocar las tazas o taza sobre la rejilla y accione la botonera en la selección deseada. La extracción perfecta de un espresso requiere de 20/25 segundos.



ATENCIÓN!

Aunque la botonera dispone sólo de 3 teclas, las dos primeras (S, L) disponen de dos selecciones cada una en función de si las pulsa una o dos veces seguidas. Al activar la doble selección el color de la tecla pasará de blanco a azul.

Para obtener una óptima calidad en la extracción del café, use siempre el filtro adecuado para 1 o 2 cafés.

Si el café sale muy rápido o muy lentamente, hará falta cambiar el molido del café más fino o más grueso y experimentar con el prensado según nuestras preferencias.

CONSEJOS GENERALES

1. El portafiltro siempre debe ir colocado en la máquina para que se mantenga caliente. En posición cerrado.
2. Colocar las tazas sobre el caliente-tazas. La temperatura (optima 40°C/105°F) mejorará nuestro espresso.
3. El café continuará saliendo en pequeñas gotas unos segundos después de apagar el interruptor de café.
4. Se aconseja moler la cantidad de café necesaria en el momento en que se necesita porque el café molido pierde rápidamente sus cualidades de aroma y las sustancias grasas contenidas en el café se vuelven rancias.



10 – Programación de la dosis de café



Para programar la cantidad de café, con la máquina encendida y preparada para hacer café (teclas de la botonera encendidas de manera permanente), pulsar durante 5 ó 6 segundos el pulsador de programación XL hasta que quede iluminado de manera intermitente mientras el resto de las teclas están iluminadas de manera fija en color azul claro. Entonces seguir los siguientes pasos:

1. Pulsar la selección que queramos programar. La máquina empezará a funcionar. **Atención!** Cada una de las teclas S y L tiene 2 selecciones en función de si pulsamos 1 o 2 veces al activarla. A la hora de programar hay que seguir el mismo proceso: Si pulsamos 1 vez programamos la selección sencilla (la tecla queda iluminada en color blanco durante el ajuste de volumen), y si lo hacemos dos veces (la tecla queda iluminada en color azul durante el ajuste de volumen) la doble.
2. Volver a pulsar la tecla 1 vez en el momento en el que alcance el volumen deseado para detener el ajuste. **Atención!** Para saber qué selección se ha ajustado en cada tecla, observamos el color en que ésta esta iluminada. Si es azul claro quiere decir que no se ha ajustado ninguna de las 2 selecciones. Si es blanco, quiere decir que se ha ajustado la doble. Si es azul oscuro, quiere decir que se ha ajustado la sencilla. Cuando se haya realizado el ajuste de las 2 selecciones de una tecla, éste quedará apagada para indicarnos que el ajuste se ha completado.
3. Una vez realizado el ajuste de la dosis, para finalizar el proceso, pulsar la tecla XL, las teclas S y L quedan iluminadas de manera fija en color blanco.
4. Pulsar 2 veces la tecla XL para volver al modo de funcionamiento de la máquina. **Atención!** Si en lugar de seguir este último paso pulsa la tecla S o L puede alterar la configuración de la máquina. Si esto ocurre y la máquina no funciona correctamente (la bomba no se activa), repetir el proceso de ajuste y finalizar de manera correcta, o realizar un reset de la máquina.

11 – Preparación del capuccino

El “verdadero cappuccino” está compuesto por 25 mililitros de café espresso y 125 mililitros de leche fría montada con vapor, que pasará de los 3 ó 4 grados centígrados a los cerca de 55 grados centígrados. La leche tiene que ser de vacuno y fresca con un contenido de proteínas sobre el 3,2 por ciento y el 3,5 por ciento de grasa, y montada —sólo la cantidad necesaria para una taza— en un recipiente de acero (jarra) para evitar la mezcla con otros olores o sabores.

La densidad de la crema tiene que ser uniforme sin que exista una separación con el líquido, ni puede presentar orificios o burbujas.

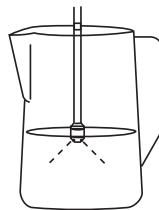
PREPARACIÓN

- El manómetro indicará la presión de la caldera 1. 2/1,5 bar. La caldera estará dispuesta para dispensar agua y vapor (aprox. 20/22 min.)
- Gire el mando vapor (7). Es normal que al inicio del servicio de vapor le salga por el tubo un poco de agua, por lo que recomendamos posicione el tubo en la bandeja de desagüe.
- Introduzca el tubo en la leche a calentar. Llene hasta 1/3 de la jarra.

1) TEXTURA: Obteniendo crema

Para obtener la consistencia denominada “terciopelo”, se debe situar el tubo cappuccinador justo por debajo de la superficie de la leche.

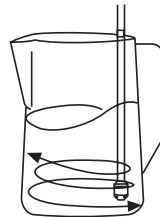
Abrimos el mando vapor y movemos el tubo en diferentes ángulos (siempre bajo la superficie de la leche) hasta conseguir un efecto de emulsión gracias a la circulación del aire. Una vez texturada, el volumen de la leche puede ser del doble.



Por favor, recuerde que debe mover la jarra y el tubo de vapor, siempre asegurándose que trabaja en la zona más superficial de la leche. Tras esta operación, la leche está texturada pero aún está fría.

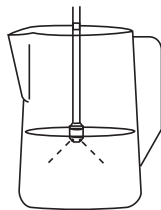
2) TEMPERATURA: Calentando la leche

Una vez obtenida la textura, sumergimos el tubo de vapor (10) en la jarra a más profundidad. Realizamos movimientos circulares para calentar la leche en todo su volumen hasta que alcance la temperatura deseada.

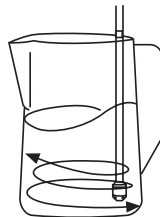


IMPORTANTE!

Texturar requiere trabajar bajo la superficie de la leche y calentar requiere trabajar a más profundidad.



Texturar



Calentar

Recuerde no calentar la leche a más de 75°C. A partir de esta temperatura la leche estará escaldada y perderá sus propiedades para el cappuccino.

Una vez terminada la operación, gire el pomo (7) para cerrar la salida de vapor.

Consejo. El espresso es extractado a 75-80 °C. La leche está texturada y caliente entre 55 °C-70 °C. Es importante conservar estas temperaturas al servir, por lo que se deben calentar las tazas usando la zona caliente-tazas de la cafetera. Si no es posible, caliente la taza con agua caliente antes de usarla.

Una vez tenemos la leche caliente y texturada, ya estamos preparados para servirla en la taza, añadiéndola a nuestra base de espresso.

POSIBLES PROBLEMAS.

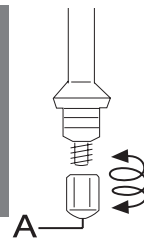
La crema puede ser excesivamente fina y sin consistencia.

- 1) Uno de los motivos puede ser que la leche ya se hubiera calentado con antelación.
- 2) Se ha calentado la leche demasiado (el tubo de vapor se sitúa a más profundidad en la jarra y calienta la leche sin dejar circular el aire en la superficie) antes de haber conseguido la textura deseable. No hemos realizado correctamente el paso 1: TEXTURAR y no hemos dejado que el aire trabajara la leche.

Atención! Si ha utilizado el servicio de vapor o agua durante un período largo sin interrupción y observa que le baja la presión de salida, espere unos instantes a que se recupere la caldera. La presión óptima es de 1 / 1,5 bar.

IMPORTANTE!

Después de cada uso es aconsejable hacer salir vapor durante 5 segundos para limpiar el conducto y evitar que se obture. Para limpiar los orificios de absorción (A) puede usar un clip. Asegúrese de que el tubo está libre de obstáculos.



12 – Preparación de agua caliente

Ponga una taza o recipiente bajo la salida de agua. Pulsar el interruptor de salida de agua caliente (9) para obtener agua. Desactivar el interruptor para cerrar la salida de agua, cuando haya obtenido la cantidad deseada.



13 – Menú de configuración

Los modelos Baby T ZERO y PLUS cuentan con 2 displays independientes sobre la botonera de grupo mediante las cuales podemos controlar los siguientes parámetros.

Parámetro	Descripción
t	Temperatura de consigna del grupo de café, mostrado en la pantalla izquierda durante el funcionamiento de la máquina.
tc	Temperatura de la caldera de vapor
tec	Sub-menú con parámetros de configuración del control de temperatura, incluyendo P/l/d/b/Ce
P/l/d/b	Parámetros de configuración del control de temperatura PID.
ce	Parámetro de configuración de potencia. En función de este parámetro (número comprendido entre el 1 y el 3) indicamos a la máquina cuántas resistencias pueden trabajar al mismo tiempo, siempre priorizando la del grupo de café. Ver tabla limitación potencia para ver las diferentes opciones en la sección 5 - conexión eléctrica.
teE	Temperatura caldera vapor en modo stand-by
tiE	Tiempo de inactividad después del cual la temperatura de la caldera de vapor pasa a ser la temperatura de stand-by (parámetro TeE). Si se introduce el valor como 0, la función stand-by queda desactivada.
Ud	Unidades de medida: Grados Celsius (C) o Fahrenheit (F)
Px	Pre-infusión de la selección x (x=1,2,3,4) de la botonera, configurable entre 0 y 5 segundos. Por ejemplo, P1 es el tiempo de pre-infusión (bomba ON) de la selección 1. El tiempo de bomba OFF es siempre de 3s. La selección 5 (XL, erogación continua) no dispone de tiempo de pre-infusión. Observación: Las opciones P1 y P2 corresponden a los servicios normales de las teclas S y L respectivamente, mientras que las opciones P3 y P4 corresponde al servicio doble de la tecla S y L respectivamente.
Cr	Cronómetro activado o desactivado. Al activarlo, se muestra en la pantalla derecha durante el funcionamiento de la máquina.
u	Parámetro de corrección de temperatura, permite introducir la desviación (offset) entre la temperatura real y la mostrada por el display del grupo.
Ac	Caldera de vapor activada/desactivada
EP	Permite configurar la conexión hidráulica como RED (red) o DEPOSITO (dep).
SP	Indica el número de servicios parciales (desde la última puesta a 0). Observación: Esta opción contabiliza número de cafés realizados, no pulsaciones, por lo que las opciones dobles contabilizan como 2 cafés.
ST	Indica el número de servicios totales (histórico sin considerar puestas a 0) de la máquina.



Para entrar en modo programación, debemos pulsar la tecla 3 e inmediatamente después y sin soltar ésta, la tecla 2 (contando desde la izquierda) de la primera botonera. Las 3 teclas y los displays quedarán apagados. Posteriormente pulsar la tecla 3 durante 10 segundos. A continuación el display de la izquierda mostrará las diferentes opciones de programación según la tabla anterior.

Con la tecla 2 avanzamos y con la tecla 1 retrocedemos entre las diferentes opciones, y con la tecla 5 nos introducimos en la opción seleccionada para modificar el valor programado anteriormente. Una vez dentro de la opción a modificar, con las teclas 1 y 2 aumentamos/disminuimos el valor de la misma, y con la tecla 3 confirmamos la modificación, volviendo al menú de programación.

Para salir del menú de programación deberemos buscar la opción ESC y seleccionarla mediante la tecla 3. Las botoneras y los displays quedarán apagados. Deberemos activarlos de nuevo pulsando la tecla 2.

ATENCIÓN!

Podemos hacer un reset a los parámetros de programación pulsando las teclas 1, 2 y 3 de la botonera con la máquina apagada. Sin soltarlas, activamos el interruptor general hasta que en la pantalla del grupo uno aparece el texto Prt. Entonces, soltamos las teclas, apagamos y volvemos a encender la máquina.

ATENCIÓN!

Alarmas. Los displays sobre cada botonera también dan información sobre los problemas que puedan surgir en los diferentes componentes mediante la siguiente lista de alarmas:

AL1	Comprobar nivel depósito agua
AL2	Fallo medidor caudal
AL3	Fallo sonda temperatura grupo
AL4	Fallo resistencia grupo
AL5	Fallo circuito
AL6	Tiempo maximo llenado caldera
AL7	Fallo sonda temperatura caldera
AL8	Fallo resistencia caldera

ATENCIÓN!

Es posible la activación de la máquina de manera que sólo se iluminen la botonera y pantalla, desconectando las resistencias y las alarmas. Para conectar la máquina de esta manera, con la máquina apagada, pulsar las teclas 1 y 2 de la botonera, y mantenerlas presionadas mientras activamos el interruptor general, hasta que se iluminen la botonera y pantalla. Para desactivar, debemos repetir la misma operación.



14 - Uso de la APP Baby T - Conexión de la Máquina

La configuración electrónica de los modelos Baby T ZERO y PLUS puede realizarse a través de un dispositivo móvil, mediante el uso de la app específica. Puede descargar la aplicación desde la página web de Ascaso Factory o a través de su proveedor habitual.

Mediante esta aplicación podrá controlar parámetros como:

- Ajustes generales: Modelo, unidad de medida, sistema de conexión hidráulico, ON/OFF máquina, grupo y caldera de vapor.
- Ajustes de temperatura: Grupo de café, caldera de vapor, desviación y stand-by caldera vapor.
- Ajuste dosis/pre-infusión: Volumen y tiempo de pre-infusión para las selecciones disponibles (4 en total), así como la activación del enjuague automático a través de la tecla XL.
- Programar el apagado/encendido automático de la máquina.
- Datos estadísticos: Lectura y puesta a cero de los contadores de cafés de cada selección (4), así como de los totales.

Para conectar con la máquina desde su dispositivo móvil, seguir los siguientes pasos:

1. Activar la función Bluetooth del dispositivo móvil.
2. Activar la app Ascaso Baby T.
3. Seleccionar la opción **Conectar** del menú principal. Aparecerá la lista de dispositivos disponibles. Encontrará la máquina de café bajo el nombre ASCASOXXXX, donde XXXX corresponde al número de serie del módulo Bluetooth de la máquina (por ejemplo, ASCASO0000).
4. **Atención!** El código de autorización para la conexión es el 8483.
5. Una vez realizada la conexión, seleccionar la opción **Leer máquina** en el menú principal.
6. Al finalizar la configuración de parámetros, seleccionar la opción **Escribir máquina** para enviarlos a la máquina.
7. Seleccionar la opción **Desconectar** para finalizar.

El uso de la aplicación es totalmente intuitivo.



15 – Mantenimiento y limpieza

La limpieza y cuidado preventivo del sistema interno de su máquina es vital para obtener un espresso de óptima calidad.

Advertencia general! La limpieza y el mantenimiento se deben realizar cuando el aparato está frío y desconectado de la red eléctrica. No sumerja el aparato en agua. No apto para su limpieza en lavavajillas.

1) LIMPIEZA DIARIA

- Para limpiar el exterior de la máquina use productos específicos para acero inoxidable.
- No limpiar nunca las pantallas con alcohol.
- Extraiga la bandeja periódicamente para limpiarla.
- Inmediatamente después del uso, limpie el tubo de vapor con un trapo húmedo.
- Al finalizar la jornada, limpiar el tubo de vapor, retirando los restos de leche. Para ello, preparar una del limpiador específico para tubos de vapor Ascaso V.8410 siguiendo la dosificación indicada en el producto. Una vez preparado, proceder a la limpieza del tubo siguiendo las instrucciones del producto limpiador, sin olvidar repetir el proceso con agua limpia para retirar restos de producto del tubo de vapor.
- Cazoleta de desagüe. Limpiar la cazoleta de restos de café y residuos recogiendo los con una cucharilla.

2) LIMPIEZA SEMANAL

- Ducha y junta del grupo de café, periodicidad semanal. Pasar el cepillo especial Ascaso código V.26 para limpiar las duchas y las juntas del portafiltros.
- Filtros y portafiltros, periodicidad semanal. Preparar una solución del detergente ref. V.8401 o V.8402 siguiendo las instrucciones indicadas en el producto. Sumergir los portafiltros y los filtros en la solución, dejándolos como mínimo 20 minutos. Es preferible dejarlos una noche entera. Pasado este tiempo, sacar las piezas y enjuagarlas abundantemente con agua limpia.
- Limpieza componentes internos, periodicidad semanal. Con la máquina en marcha, cambiar el filtro del café del portafiltros por el filtro ciego suministrado. Aplicar el limpiador ref. V.8401 o V.8402 siguiendo las instrucciones indicadas en el mismo. Este proceso disuelve el polvo contenido en el filtro ciego, limpiando los conductos y la electroválvula, así como las duchas y difusores del grupo. Puede repetir este proceso las veces que sean necesarias y hasta que por la descarga del grupo aparezca agua limpia. Una vez finalizado, sacar el portafiltros y accionar el grupo durante 30 segundos haciendo pasar agua limpia.

3) LIMPIEZA AUTOMÁTICA DEL GRUPO DE CAFÉ

Para activar el sistema automático de limpieza de los grupos de café deberemos pulsar la tecla 3 e inmediatamente y sin soltar ésta la tecla 1 de la botonera. De manera automática se inicia un proceso de 10 erogaciones consecutivas, con una pausa de 3 segundos entre ellas. Para interrumpir el proceso, pulsar la tecla 3.

4) LIMPIEZA DE LA CALDERA. En función el uso y de la dureza del agua usada, será necesario realizar una limpieza de la caldera de vapor. Para ello, use el producto limpiador V.8412 siguiendo las instrucciones especificadas en el mismo.



16 – Garantía

La garantía será la propia factura de compra. Consérvela. Tendrá que presentarla en el Servicio de Asistencia si surgiese alguna avería.

Este aparato queda garantizado por el distribuidor, a partir de la fecha de compra contra cualquier defecto de fabricación o del material utilizado.

El importe de los portes y embalajes que pudieran originarse, quedaran a cargo del usuario.

Esta garantía no tendrá validez si:

1. No dispone de la factura.
2. Hace un uso indebido de la máquina.
3. Se ha producido una acumulación de cal o falta de limpieza de la máquina.
4. El aparato ha sido desarmado por personal ajeno a la Red de Asistencia Técnica Oficial Ascaso.

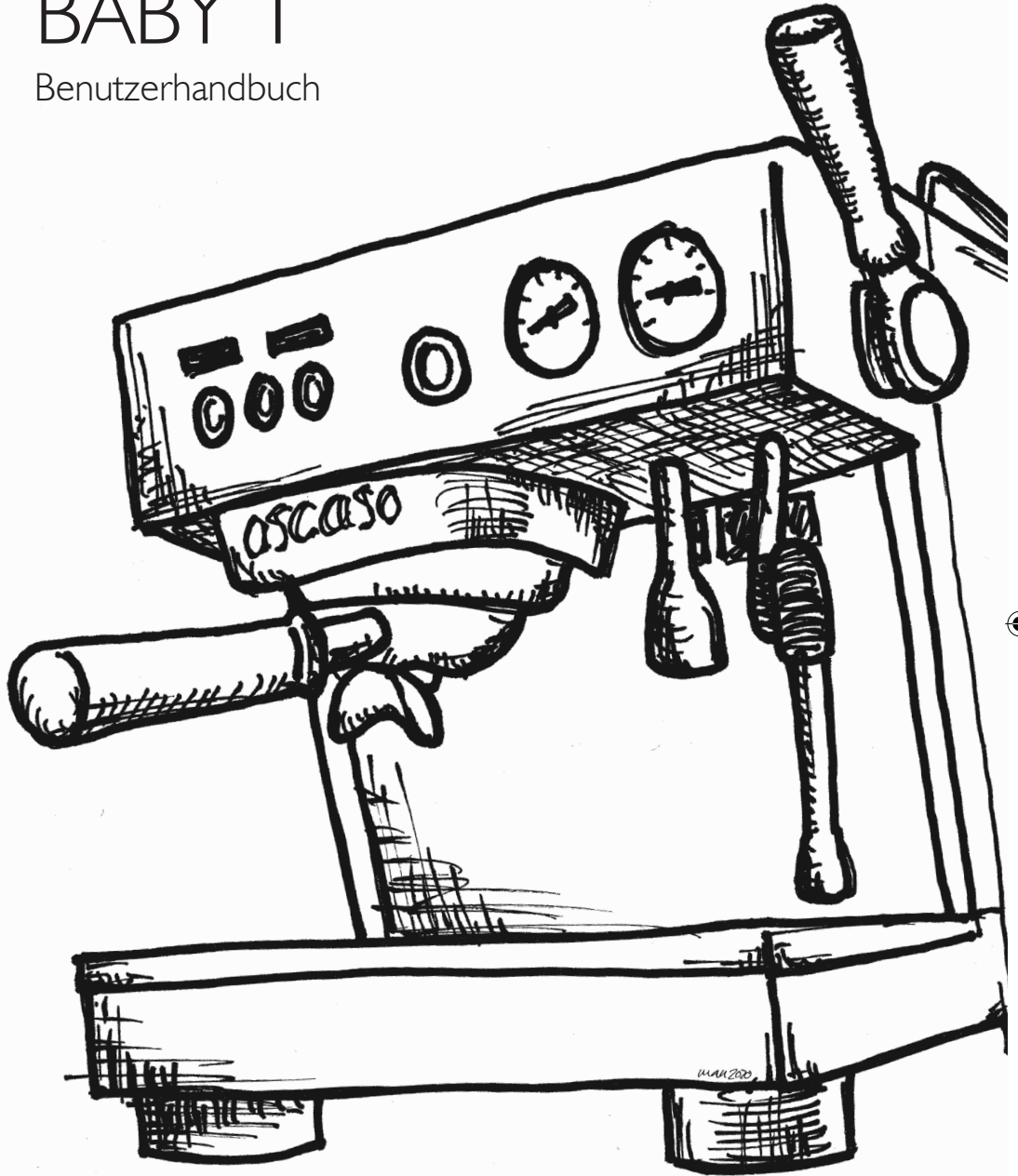






BABY T

Benutzerhandbuch



ascaso
BARCELONA



DEUTSCH



Danke!

Danke, dass Sie ein Produkt von **ascaso** erworben haben. Damit können Sie den besten Espresso und köstliche Cappuccinos zubereiten.

Ihre Kaffeemaschine wurde in Bezug auf Informatik und Technik mit den neuesten, technologischen Innovationen entworfen und gebaut. Das Ergebnis ist ein hochwertiges, sicheres und zuverlässiges Produkt.

Recycling Ihrer Kaffeemaschine

Die Kaffeemaschinen können recycelbare Teile enthalten.
Kontaktieren Sie Ihren Händler oder das Recycling-Center Ihrer Stadt.



DEUTSCH



Inhalt

KONFORMITÄT	58
1. SICHERHEITSVORSCHRIFTEN	59
2. BENUTZUNG	60
3. IDENTIFIZIERUNG DER KOMPONENTEN	60
4. MASCHINENEIGENSCHAFTEN	61
5. INSTALLATION	62
6. STROMANSCHLUSS	62
7. WASSERANSCHLUSS	64
8. INBETRIEBNAHME	66
9. KAFFEEZUBEREITUNG	67
10. PROGRAMMIERUNG DER KAFFEEDOSIS	68
11. ZUBEREITUNG VON CAPUCCINO	69
12. ZUBEREITUNG VON HEISSWASSER	71
13. KONFIGURATIONSMENÜ	72
14. BENUTZUNG DER APP BABY T - ANSCHLUSS DER MASCHINE	74
15. WARTUNG UND REINIGUNG	75
16. GARANTIE	77

DEUTSCH



Bestimmung – EG-Konformitätserklärung



Ascaso Factory S.L.U

Coneixement 1 Pol. Ind. GaváPark
08850 Gavá / Barcelona / Spanien

DEUTSCH

Als Hersteller von Kaffeemaschinen wie:

Typ: Kaffeemaschine

Modell:

Serien-Nr.:

erklärt ASCASO FACTORY SLU unter seiner Verantwortung, dass das Produkt Kaffeemaschine für den professionellen Gebrauch, auf das sich diese Erklärung bezieht, den spezifischen Richtlinien entspricht: 98/37/CE - - Maschinenrichtlinie 73/23/CEE, 93/68/CEE Niederspannungsrichtlinie 89/336/CEE, 93/68/CEE, 92/31/CEE - - Richtlinie EMC 97/23/ - Richtlinie für Druckgeräte (PED) und entspricht den folgenden Normen: EN 292-1, EN292-2, EN 60335-1, EN 60335-2-15, EN 55014, EN 61000-3, EN 61000-4, EN 50141, EN55104 harmonisierende EN-Normen.

Die vorliegende Erklärung verliert ihre Gültigkeit, wenn das Gerät ohne ausdrückliche Genehmigung des Herstellers modifiziert wird oder wenn es nicht in Übereinstimmung mit den Angaben der Gebrauchsanleitung und den Anweisungen installiert oder benutzt wurde. Die technischen Unterlagen wurden vom „R&D Manager“ am Rechtssitz archiviert.

Rechtssitz:

Ascaso Factory S.L.U

Coneixement 1 Pol. Ind. GaváPark
08850 Gavá / Barcelona / Spanien

Fecha: 1/09/2020

.....
(Betriebsleiter)





I – Sicherheitsbestimmungen

- Vor dem Anschließen der Maschine die Versorgungsspannung überprüfen.
- Für den Anschluss dürfen keine Verlängerungskabel, Adapter oder Steckdosenleisten benutzt werden.
- Überprüfen, ob eine Erdung und eine effiziente Stromschutzvorrichtung vorhanden sind.
- Stellen Sie die Maschine auf eine ebene und stabile Fläche, die Kindern oder Tieren nicht zugänglich ist und von heißen Oberflächen entfernt ist
- In Umgebungen benutzen, deren Temperaturen über 5 °C liegen.
- Dieses Gerät ist dafür vorgesehen, immer an der Wasserversorgung angeschlossen zu sein.
- Nie ein beschädigtes Gerät oder mit einem Netzkabel in einem schlechten Zustand in Betrieb nehmen.
- Die Lüftungsgitter nicht blockieren und speziell die Fläche zum Aufheizen der Tassen nicht mit Tüchern oder anderen Gegenständen abdecken.
- Keine Reinigungs- oder Wartungsarbeiten durchführen, wenn der Netzstecker eingesteckt ist.
- Nicht am Netzkabel ziehen, um die Kaffeemaschine auszuschalten.
- Lassen Sie nicht zu, dass das Gerät von Kindern oder unerfahrenen Personen betätigt wird.
- Das Gerät nicht mit nassen oder feuchten Händen oder Füßen manipulieren.
- Das Gerät nicht in Wasser tauchen.
- Das Verpackungsmaterial (Tüten, Nägel, Kartons) außerhalb der Reichweite von Kindern aufbewahren.
- Die verpackte Maschine muss an einem trockenen Ort und ohne Luftfeuchtigkeit aufbewahrt werden.
- Keine schweren Pakete anderer Art auf die Verpackung stellen.
- Nur Zubehör und Ersatzteile verwenden, die vom Hersteller genehmigt wurden.
- Im Fall eines Schadens oder einer Störung, das Gerät ausschalten und vom Stromnetz trennen.
- Versuchen Sie nicht, es zu reparieren oder direkt einzugreifen. Kontaktieren Sie den technischen Kundendienst.
- Eine fehlerhafte Installation kann zu Personen- und Sachschäden führen, für die der Hersteller nicht zur Verantwortung herangezogen werden kann.
- Sollten diese Warnhinweise nicht berücksichtigt werden, kann dies die Sicherheit des Geräts und des Benutzers gefährden.
- Bewahren Sie diese Bedienungsanleitung auf.



2 – BENUTZUNG

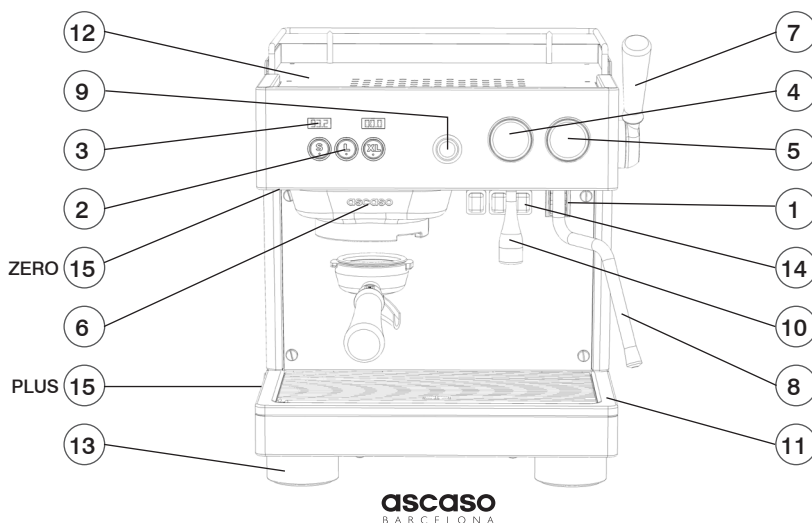
Die Maschinen wurden entworfen, hergestellt und geschützt, um sie als Maschinen zur Zubereitung von Espresso und heißen Getränken (Tee, Cappuccino, Kamillentee usw.) zu benutzen; JEDE ANDERE Benutzung gilt als unsachgemäß und somit als gefährlich.

ACHTUNG!

Der Hersteller lehnt jede Haftung für Personen- oder Sachschäden durch unsachgemäßen, unrichtigen oder unvernünftigen Gebrauch ab.

3 – Identifizierung der Komponenten

1. Hauptschalter
2. Tastenreihen der Brühgruppen
3. Informationsdisplays der Brühgruppen
4. Druckmesser Pumpe
5. Druckmesser Boiler
6. Brühgruppen Kaffee
7. Dampfauslasssteuerung
8. Dampfrohr
9. Schalter für Heißwasser
10. Heißwasserauslauf
11. Auffangwanne
12. Heizfläche für Tassen
13. Füße (beim Mod. PLUS verchromt, beim Mod. ZERO aus Gummi)
14. Schalter für Beleuchtung und Tassenwärmer
15. Arbeitsdruckregulierung der Pumpe





4 – Maschineneigenschaften

Die Maschinen der Serie BABY T wurden entworfen, um Espresso und heiße Getränke zuzubereiten.

Das Funktionsprinzip besteht aus einer Pumpe (volumetrisch beim Modell PLUS, vibrierend beim Modell ZERO) in der Maschine, die den Heißwasser- und Dampfboiler sowie die Kaffeebrühgruppe versorgt. Wenn die Hähne betätigt werden, wird das Wasser, je nach Bedarf, als Heißwasser oder Dampf zu den externen Brühgruppen geschickt.

Das Wasser, das zur Zubereitung der Getränke verwendet wird, wird direkt aus der Trinkwasserleitung (nur beim Modell PLUS) oder aus dem Tank (Modelle ZERO und PLUS) bezogen und durch Pumpe unter Druck gesetzt. Es durchläuft einen Aufwärmkreislauf durch den Heißwasser-/Dampfboiler (nur beim Modell PLUS) und wird durch einen Wärmetauscher letztendlich von der Aufwärm- bis zur Betriebstemperatur auf seine Temperatur gebracht.

Sowohl die Brühgruppe als auch der Heißwasser-/Dampfboiler können eine unterschiedliche Betriebstemperatur, sowie unterschiedliche Parameter für eine unabhängige Konfiguration haben, um die Leistung der Maschine aufgrund der Anforderungen des Benutzers zu optimieren.

Die Maschine besteht aus einer tragenden Struktur aus Stahl, auf der die mechanischen und elektrischen Komponenten angebracht werden. Alles ist mit Abdeckpaneelen aus Blech mit Einbrennlackierung und Edelstahl verkleidet. Am Vorderteil der Maschine werden die Produktionsabläufe durchgeführt. Hier befinden sich die Steuerung, die Kontrollgeräte und die Brühgruppen des Kaffees. Im oberen Teil der Maschine gibt es eine Fläche, die zum Aufheizen der Tassen vorgesehen ist.

	BABY T ZERO	BABY T PLUS
Spannung	230/120V 50/60Hz	
Max. Leistung (W)	2.400 (230V) / 1.800 (120V)	
Dampfboiler (W)	1200	
Brühgruppe (W)	1000	
Dampfboiler		
Max. Druck (mpa)	0,27	
Betriebsdruck (mpa)	0,18	
Fassungsvermögen (l)	2,3	
Maße (mm)	350x380x430	350x450x430
Gewicht (kg)	35	
Wassereinlass	Tank	Tank+ Trink-wassernetz
Druck min/max (mpa)	-	0,1 / 0,6
Durchmesser Abfluss (mm)	16 (optional)	
Filterhalter 1 Kaffee	1	
Filterhalter 2 Kaffees	1	
Filter Super Crema 1 Kaffee	1	
Filter Super Crema 2 Kaffees	1	
Blindfilter	1	
Stampfer	1	
Flexibler Schlauch Wasserzufuhr		1





5 – Installation

Das Gerät muss so installiert werden, dass die Standfläche mindestens 1,20 Meter hoch ist. Die Standfläche muss nivelliert, trocken und standfest sein. Die Maschinen werden mit höhenverstellbaren Standfüßen geliefert.

Dieses Gerät eignet sich nicht für eine Installation in einem Bereich, in dem ein Wasserstrahl benutzt werden könnte. Es darf auch nicht in Außenbereichen installiert werden. Dieses Gerät darf nur an Orten installiert werden, an denen die Benutzung und Wartung auf geschulte Personen beschränkt ist.

Um einen korrekten Betrieb zu gewährleisten, muss die Maschine an Orten installiert werden, an denen die Raumtemperatur zwischen +5 °C / +32 °C und die Luftfeuchtigkeit nicht über 70 % liegt.

Es wird empfohlen, um die Maschine eine Fläche freizulassen, um die Wartungsarbeiten zu erleichtern und zum Aufstellen der Kaffeemühle.

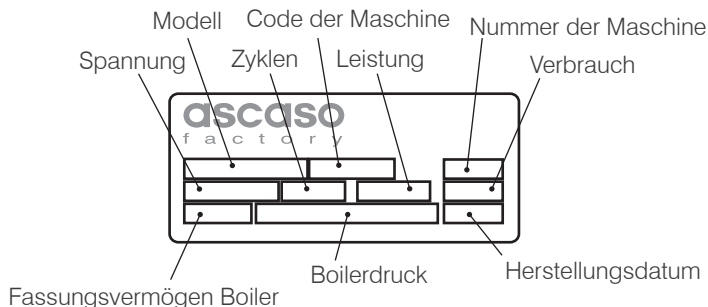
Um ein Gefrieren des Wassers der Maschine zu verhindern, muss eine Installation an Orten mit Raumtemperaturen von 0° C oder darunter vermieden werden. Sollte das Wasser gefrieren, darf die Maschine nicht benutzt werden und der Hersteller muss kontaktiert werden.

Das Gerät muss ausschließlich mit kaltem Trinkwasser versorgt werden, gemäß der geltenden Gesetzgebung. Der Druck der Wasserversorgung muss zwischen 0,1 und 0,6 MPa liegen. Sollte diese Voraussetzung nicht erfüllt werden, erkundigen Sie sich bitte beim Hersteller. Zwischen der Trinkwasserleitung und dem Zulauf der Maschine muss ein Absperrventil installiert werden, um, sofern erforderlich, die Versorgung zu unterbrechen.

6 – Stromanschluss

Die Maschine wird, gemäß den erforderlichen technischen Daten, anschlussfertig geliefert.

Bevor die Maschine angeschlossen wird, sicherstellen, dass die technischen Daten auf dem Typenschild denen des Stromversorgers entsprechen.



Wenn das Netzkabel beschädigt ist, muss es vom Hersteller, dem Kundendienst oder durch qualifiziertes Personal ausgetauscht werden, um eventuelle Gefahren zu verhindern.

Das Netzkabel muss entsprechend den geltenden Vorschriften an den vorgesehenen Anschluss angeschlossen werden.

Gemäß den Installationsvorschriften müssen Trennvorrichtungen in die Festinstallation eingebaut werden.

ACHTUNG!

Es ist unumgänglich, dass die Maschine an eine ordnungsgemäß angeschlossene Erdungsverbindung angeschlossen ist.

Überprüfen Sie vor der Inbetriebnahme, dass Ihr elektrisches System in der Lage ist, der Leistung der Maschine standzuhalten. Es ist möglich, die maximale Leistung der Maschine durch die Konfigurationssoftware zu begrenzen, indem die Anzahl der Widerstände, die gleichzeitig arbeiten, begrenzt wird (siehe Abschnitt 12).

Die Tabelle der Leistungen/Stromstärken nach der Konfiguration der Anzahl der gleichzeitig arbeitenden Widerstände lautet wie folgt:

	KAFFEE (W)	DAMPF (W)	TOTAL	CE-PARAMETER		
				1	2	3
BABY T 230V	1 x 1000	1 x 1200	10	5,5 A	10 A	10 A
BABY T 110V	1 x 1000	2 x 600	20	9 A	12 A	20 A

Die Standardkonfiguration von diesem CE-Parameter ist bei allen Modellen CE=2.

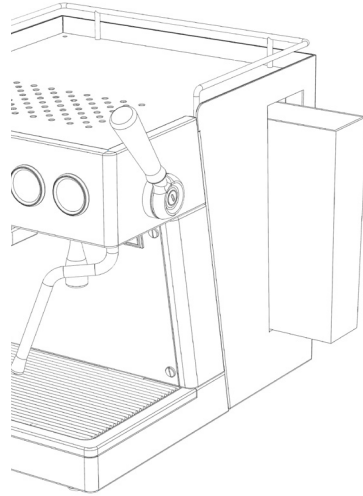


7 – Wasseranschluss

Dieses Gerät verfügt über unterschiedliche Anschlussmöglichkeiten: TRINKWASSERNETZ oder TANK, je nach Modell ZERO oder PLUS. Überprüfen Sie das Modell Ihres Geräts vor der Inbetriebnahme.

Baby T ZERO bietet nur die Möglichkeit, einen Wasseranschluss zum TANK zu verwenden. Sie finden ihn auf der rechten Seite der Maschine. Zur Inbetriebnahme:

1. Tank mit frischem Wasser füllen.
2. Überprüfen Sie, dass der Schlauch des Wasseranschlusses im Tank eingetaucht ist.
3. Überprüfen Sie, ob der Wassertank mit ausreichend Wasser gefüllt ist. Wenn Sie die Kaffeemaschine ohne Wasser in Betrieb nehmen, kann die Pumpe beschädigt werden.



ACHTUNG!

Die Maschine verfügt über eine elektronische Wasserstandsregelung im Tank, bei Überschreiten des Mindestfüllstands leuchtet eine Warnlampe (siehe Abschnitt 12).

Wir empfehlen, Wasser mit geringem Mineraliengehalt zu verwenden. Die Wasserqualität wird den Geschmack und die Qualität Ihres Kaffees beeinflussen und Störungen in Zukunft vermeiden. Siehe unsere speziellen Anti-Kalk-Filter (Option).

Empfohlene Wasserparameter für den Trinkwasseranschluss:

T.D.S.	90-150 ppm	pH	6,5-8
Gesamthärte	70-100 ppm	Alkalität	40-80 ppm
Eisen gesamt	0-0,02 ppm	Chlorid	0-30 ppm
Freies Chlor	0-0,05 ppm	Druck	0,1-0,6 MPa
		Trinkwassernetz	
Gesamtchlor	0-0,1 ppm	Durchfluss	8 l/min

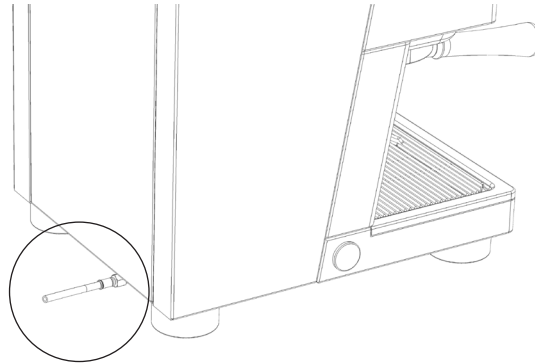


Baby T PLUS ermöglicht neben dem Tankanschlussystem auch den direkten Anschluss an das Trinkwassernetz. Durch die Konfiguration des Parameters EP im Konfigurationsmenü ist möglich, die Maschine auf die eine oder andere Weise zu konfigurieren (siehe Abschnitt 12).

Um die Maschine an das Trinkwassernetz anzuschließen, befolgen Sie die folgenden Schritte:

1. Schließen Sie das Ende des flexiblen Schlauchs (1/8" Anschluss mit Innengewinde) an die Maschine an. Der Anschluss befindet sich unter dem Gerät auf der Rückseite (siehe Zeichnung).
2. Das Ende des flexiblen Schlauchs (3/8" Anschluss mit Innengewinde) an die Wasserzufuhr anschließen. Sollte ein Wasseraufbereitungssystem installiert werden, den Schlauch an den Ausgang des besagten Systems anschließen.

Wenn die Anschlüsse der Wasserzufuhr und des Abflaufs angeschlossen sind, öffnen wir den Hahn der Trinkwasserzufuhr, um die Inbetriebnahme durchzuführen.



ACHTUNG!

Wenn der Anschluss über das Trinkwassernetz erfolgt, muss ein Sperrventil vorhanden sein, das bei Bedarf den Wasserfluss zum Gerät unterbricht.

WICHTIG: Die Kaffeemaschine nicht mit Wasser mit einem Härtegrad unter 10° versorgen.

Optional bietet dieses Modell die Möglichkeit eines Abflussanschlusses. Wenn Ihnen diese Option (KIT.368) zur Verfügung steht, stellen Sie sicher, dass Sie den Höhenausgleich für die Füße der Maschine montieren und das freie Ende des mit dem optionalen KIT gelieferten Abflussschlauchs an den zuvor installierten Hauptabfluss anschließen. Vergewissern Sie sich auch, dass der Wasserablauf in der Schale (11) aktiviert ist, indem Sie die Kappe auf der Rückseite der Schale entfernen.

Wenn die Anschlüsse der Wasserzufuhr und des Abflaufs angeschlossen sind, öffnen wir den Hahn der Trinkwasserzufuhr, um die Inbetriebnahme durchzuführen.





8 – Inbetriebnahme

ACHTUNG!

Vor der Inbetriebnahme des Geräts müssen die Abschnitte 5 und 6 dieses Handbuchs überprüft werden.

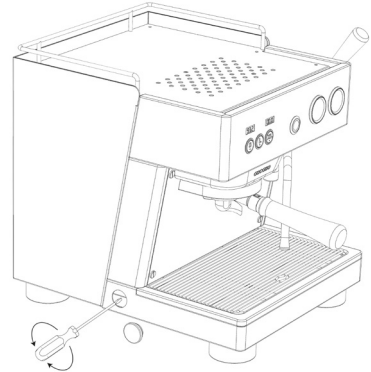
DEUTSCH

Den Hauptschalter (1) auf „ON“ stellen. Die Maschine wird den Boiler bis zum festgelegten Niveau füllen. Wenn der Füllprozess abgeschlossen ist, beginnt sich das Wasser aufzuheizen, bis es die Temperatur und den Betriebsdruck erreicht.

Regulierung des Pumpendrucks (Modell PLUS):

Die Pumpe ist ab Werk auf einen Druck mit 9 bar eingestellt. Sollte es erforderlich sein, sie zu regulieren, gehen Sie wie folgt vor:

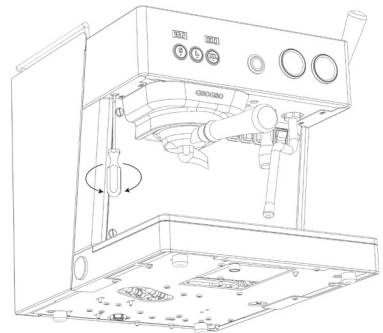
1. Die Kunststoffkappe entfernen, die sich an der Seitenwand des Geräts befindet.
2. Mit der Hilfe eines Schraubendrehers die Schraube der Pumpe drehen. Im Uhrzeigersinn wird der Druck erhöht. Gegen den Uhrzeigersinn wird der Druck verringert (siehe Abbildung 3).
3. Überprüfen Sie den Pumpendruck durch Ablesen des Manometers (4) an der Vorderseite der Maschine.



Regulierung des OPV-Ventils (Arbeitsdruck der Kaffeepumpe, Modell ZERO):

Das OPV-Ventil (15) ist ein Bauteil, das den maximalen Arbeitsdruck der Maschine bei der Kaffeezubereitung begrenzt. Besagter Druck darf 12 bar nie überschreiten. Das Ventil ist ab Werk auf 10 bar eingestellt. Sofern es erforderlich ist, es neu einzustellen, folgen Sie den folgenden Anleitungen:

1. Setzen Sie den mit dem Blindfilter bestückten Filterhalter in die Kaffeegruppe ein.
2. Starten Sie die Gruppe und drehen Sie den Regler des OPV-Ventils (15), bis die Anzeige auf dem Pumpendruckmanometer (4) die Gewünschte ist. Durch Drehen des Reglers nach rechts steigt der Arbeitsdruck, durch Drehen nach links sinkt er (siehe Abbildung 3).



Ab diesem Zeitpunkt muss man warten, bis die Temperatur der Brühgruppe des Kaffees den Sollwert erreicht, um mit dem Kaffeebezug zu beginnen (wird durch das





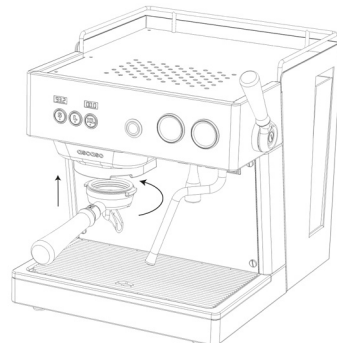
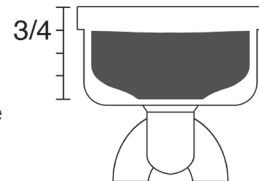
spezifische Display (3) angezeigt, das der Temperatur gewidmet sind) und dass die Temperatur des Heißwasser- und Dampfboilers den festgelegten Wert erreicht (das Manometer zeigt, je nach programmierter Temperatur, einen Druck zwischen 1 und 1,5 bar an), um den Bezug von Heißwasser und Dampf benutzen zu können.

9 – Zubereitung von Kaffee

Es kann jede Kaffeesorte verwendet werden. Für optimale Ergebnisse wird empfohlen, für die Espresso-Zubereitung Fertigmischungen zu benutzen, da sie den entsprechenden Mahlgrad haben. Wenn der Kaffee zu schnell oder zu langsam austritt, ist es notwendig, die Kaffeesorte auf einen feineren oder gröberen Mahlgrad umzustellen und mit dem Pressen nach unseren Vorlieben zu experimentieren.

Folgende Schritte müssen befolgt werden:

1. Maschine anschließen.
2. Die 3 Drucktasten müssen ständig leuchten. Dies zeigt an, dass die Kaffeemaschine die ideale Temperatur erreicht hat, um Kaffee zuzubereiten.
3. Die XL-Taste betätigen (kontinuierlicher Kaffeebezug) und Wasser durch die Brühgruppe laufen lassen. Tun Sie dies, bevor Sie den Kaffee zubereiten. Es sorgt dafür, dass für einen optimalen Bezug Rückstände eliminiert werden und die Temperatur ausgeglichen wird.
4. Den Filterhalter (mit Filter) in der Gruppe (6) platzieren. Der Filter muss zu 3/4 gefüllt sein, nachdem der Kaffee gepresst wurde (siehe Abbildung 5).
5. Für eine perfekte Passform die Kaffeereste reinigen, die sich am Rand des Filters abgesetzt haben.
6. Den Filterhalter von links in die Brühgruppe (6) einsetzen und mit dem erforderlichen Druck nach rechts drehen (siehe Abbildung 6).
7. Die Tassen oder Tasse auf dem Gitter positionieren und die Taste für die gewünschte Wahl betätigen. Die perfekte Extraktion eines Espressos erfordert 20/25 Sekunden.



ACHTUNG!

Obwohl das Tastenfeld nur 3 Tasten hat, haben die ersten beiden (S, L) jeweils zwei Auswahlmöglichkeiten, je nachdem, ob Sie sie einmal oder zweimal hintereinander drücken. Wenn die Doppelauswahl aktiviert ist, wechselt die Farbe der Taste von weiß zu blau.

Für eine optimale Qualität bei der Extraktion des Kaffees immer das geeignete Filter für 1 oder 2 Kaffees benutzen.

Wenn der Kaffee zu schnell oder zu langsam austritt, ist es notwendig, den Kaffee auf einen feineren oder gröberen Mahlgrad umzustellen und mit dem Pressen nach unseren Vorlieben zu experimentieren.

ALLGEMEINE RATSCHLÄGE

1. Der Filterhalter muss immer in der Maschine eingesetzt sein, damit er warm bleibt. In geschlossener Position.
2. Platzieren Sie die Tassen auf dem Tassenwärmer. Die Temperatur (optimal bei 40 °C/105 °F) wird unseren Espresso verbessern.
3. Nach dem Ausschalten des Schalters für Kaffee, wird der Kaffee für ein paar Sekunden nachtropfen.
4. Es wird empfohlen, die Kaffeemenge zu mahlen, die aktuell benötigt wird, da gemahlener Kaffee sehr schnell seine Aromaqualitäten verliert und die fettigen Substanzen im Kaffee ranzig werden.

10 – Programmierung der Kaffeedosis



Um die Kaffeemenge zu programmieren, muss bei eingeschalteter und bezugsbereiter Maschine (ständig leuchtende Drucktasten) die XL-Programmierungstaste 5-6 Sekunden gedrückt werden, bis die Beleuchtung der Taste blinkt, während die übrigen Tasten in Hellblau leuchten. Dann die folgenden Schritte befolgen:



1. Die Auswahl drücken, die wir programmieren möchten. Das Gerät startet.
Achtung! Jede der Drucktasten S und L hat zwei Auswahlmöglichkeiten, je nachdem, ob wir sie zum Aktivieren einmal oder zweimal drücken. Bei der Programmierung muss das gleiche Verfahren befolgt werden: Durch einmal drücken wird die Einfachauswahl programmiert (die Taste leuchtet während der Mengeneinstellung weiß), und durch zweimal drücken (die Taste leuchtet während der Mengeneinstellung blau) wird die Doppelauswahl programmiert.
2. Drücken Sie die Taste 1 noch einmal, wenn Sie die gewünschte Menge erreicht haben, um die Einstellung zu stoppen.
Achtung! Um herauszufinden, welche Auswahl auf jeder Taste eingestellt wurde, schauen wir uns die Farbe an, in der die Taste leuchtet. Hellblau bedeutet, dass keine der beiden Auswahlen angepasst wurde. Weiß, bedeutet, dass die Doppelfunktion angepasst wurde. Dunkelblau bedeutet, dass die Einzelfunktion angepasst wurde. Wenn die Einstellung der 2 Auswahlmöglichkeiten einer Taste vorgenommen wurde, wird sie ausgeschaltet, um anzuzeigen, dass die Einstellung abgeschlossen ist.
3. Nachdem die Dosiseinstellung vorgenommen wurde, drücken Sie die XL-Taste, um den Vorgang zu beenden. Die Tasten S und L leuchten permanent weiß.
4. Drücken Sie zweimal die XL-Taste, um zum Betriebsmodus des Geräts zurückzukehren. **Achtung!** Wenn Sie die Taste S oder L drücken, anstatt diesem letzten Schritt zu folgen, kann die Konfiguration der Maschine beeinflusst werden. Wenn dies geschieht und die Maschine nicht richtig funktioniert (die Pumpe schaltet sich nicht ein), wiederholen Sie den Einstellvorgang und beenden Sie ihn korrekt, oder setzen Sie die Maschine zurück.

II – Zubereitung von Cappuccino

Ein „echter Cappuccino“ besteht aus 25 ml Espresso-Kaffee und 125 ml kalter Milch, die mit Dampf aufgeschäumt wird und so von 3 oder 4 °C auf ca. 55 °C erhitzt wird. Es muss frische Kuhmilch mit einem Proteingehalt von 3,2 % und einem Fettgehalt von 3,5 % verwendet werden. Nur die für eine Tasse benötigte Menge wird in einem Kännchen aus Stahl aufgeschäumt, um zu verhindern, dass sie sich mit anderen Gerüchen oder Aromen vermischt.

Die Dichte der Crema muss gleichmäßig sein, ohne dass es zu einer Trennung der Flüssigkeit kommt. Sie darf keine Löcher oder Luftblasen haben.



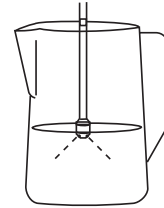
ZUBEREITUNG

- Das Manometer zeigt den Druck des Boilers 1 an. 2/1,5 bar. Der Boiler ist dafür konzipiert, Wasser und Dampf zu liefern (ca. 20/22 min.)
- Den Dampfgriff (7) drehen. Es ist normal, das zu Beginn des Dampfbezugs etwas Wasser aus dem Rohr austritt. Es wird empfohlen, den Schlauch in die Ablaufschale zu leiten.
- Das Rohr in die Milch eintauchen, die erwärmt werden soll. Die Milchkanne 1/3 füllen.

1) TEXTUR: Crema erzeugen

Um die sogenannte „samartige“ Konsistenz zu bekommen, muss das Rohr des Cappuccinatore genau unter der Milchoberfläche positioniert werden.

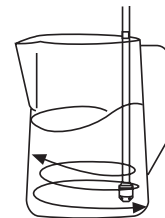
Wir öffnen den Dampfbezug und bewegen das Rohr in unterschiedlichen Winkeln (immer unterhalb der Milchoberfläche) bewegt, bis dank der Luftzirkulation ein Emulsionseffekt erreicht wird. Nach der Texturierung kann sich das Volumen der Milch verdoppeln.



Bitte denken Sie daran, dass die Milchkanne und das Dampfrohr bewegt werden müssen, wobei sichergestellt werden muss, dass dies stets im Bereich der Milchoberfläche geschieht. Danach ist die Milch texturiert, aber noch kalt.

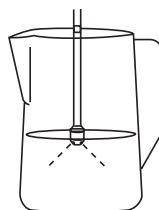
2) TEMPERATUR: Erwärmen der Milch

Nachdem die Textur erreicht wurde, das Dampfrohr (10) tiefer in die Milchkanne eintauchen. Wir führen Kreisbewegungen durch, um das gesamte Milchvolumen auf die gewünschte Temperatur zu erwärmen.

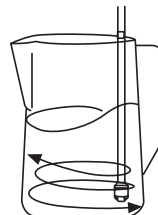


WICHTIG!

Das Texturieren setzt das Arbeiten unter der Milchoberfläche voraus und das Erwärmen ein tieferes Eintauchen voraus.



Texturieren



Erwärmen



Denken Sie daran, die Milch nicht über 75° C zu erhitzen. Ab dieser Temperatur ist die Milch verbrüht und verliert ihre Eigenschaften für den Cappuccino.

Wenn der Vorgang abgeschlossen ist, den Griff (7) drehen, um den Dampfauslass zu schließen.

Tipp. Der Espresso wird zwischen 75 - 80° C bezogen. Die Milch ist zwischen 55 - 70° C texturiert und warm. Es ist wichtig, diese Temperaturen beim Servieren zu erhalten. Deshalb müssen die Tassen auf dem Tassenwärmer der Kaffeemaschine erwärmt werden. Wenn dies nicht möglich ist, erwärmen Sie die Tasse vor der Benutzung mit Heißwasser.

Sobald die Milch warm und texturiert ist, können wir sie in der Tasse servieren und sie unserem Espresso hinzufügen.

MÖGLICHE PROBLEME.

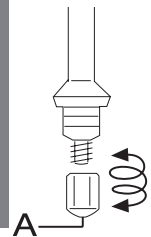
Die Crema kann zu flüssig und ohne Konsistenz sein.

- 1) Einer der Gründe dafür kann sein, dass die Milch schon vorab erwärmt wurde.
- 2) Die Milch wurde zu stark erwärmt (das Dampfrohr wurde zu tief in das Milchkönnchen eingeführt und erwärmte die Milch, ohne die Luft an der Oberfläche zirkulieren zu lassen), bevor die gewünschte Textur erreicht wurde. Schritt 1 wurde nicht richtig durchgeführt: TEXTURIEREN und es wurde nicht zugelassen, dass die Luft die Milch bearbeitet.

Achtung! Wenn der Dampf- oder Wasserbezug längere Zeit ununterbrochen benutzt wurde und beobachtet wird, dass der Ausgangsdruck sinkt, ein paar Sekunden warten, bis sich der Boiler regeneriert. Der optimale Druck liegt bei 1 / 1,5 bar.

WICHTIG!

Nach jeder Benutzung wird empfohlen, den Dampfbezug für 5 Sekunden zu betätigen, um das Rohr zu säubern und zu verhindern, dass es verstopft. Um die Ansaugöffnungen (A) zu reinigen, kann eine Büroklammer benutzt werden. Vergewissern Sie sich, dass das Rohr frei von Hindernissen ist.



12 – Zubereitung von Heißwasser

Eine Tasse oder einen Behälter unter den Wasserbezug stellen. Für den Wasserbezug den Schalter für den Heißwasserauslauf (9) betätigen. Den Schalter deaktivieren, um den Wasserbezug zu schließen, wenn man die gewünschte Menge erhalten hat.



13 – Konfigurationsmenü

Die Modelle Baby T ZERO und PLUS verfügen über der Tastengruppe über zwei unabhängige Displays, über die man die folgenden Parameter kontrollieren kann.

Parameter	Beschreibung
t	Der Sollwert der Temperatur der Kaffeegruppe wird während dem Betrieb der Maschine auf dem linken Display angezeigt.
tc	Die Temperatur des Dampfboilers.
tec	Untermenü mit Konfigurationsparametern der Temperaturkontrolle, einschließlich P/I/d/b/Ce
P/I/d/b	Konfigurationsparameter der PID Temperaturkontrolle.
ce	Konfigurationsparameter der Leistung. Anhand dieses Parameters (Zahl zwischen 1 und 3) geben wir der Maschine an, wie viele Widerstände gleichzeitig arbeiten können, wobei der der Kaffeegruppe immer Vorrang hat. Siehe Leistungsbegrenzungstabelle für die verschiedenen Optionen in Abschnitt 5 - Elektrischer Anschluss.
teE	Temperatur des Dampfboilers im Standby-Modus.
tiE	Zeit der Inaktivität nach der die Temperatur des Dampfboilers die Standby-Temperatur wird (Parameter TeE). Wenn ein Wert wie 0 eingegeben wird, wird die Standby-Funktion deaktiviert.
Ud	Maßeinheiten Grad Celsius (C) oder Fahrenheit (F)
Px	Pre-Infusion der Auswahl x (x=1,2,3,4) der Tastengruppe zwischen 0 und 5 Sekunden konfigurierbar. Zum Beispiel ist P1 die Pre-Infusionszeit (Pumpe EIN) der Auswahl 1. Die Pumpenzeit AUS beträgt immer 3s. Die Auswahl 5 (XL, kontinuierliches Brühen) verfügt über keine Pre-Infusionszeit. Anmerkung: Die Optionen P1 und P2 entsprechen der normalen Funktion der Tasten S bzw. L, während die Optionen P3 und P4 der doppelten Funktion der Tasten S bzw. L entsprechen.
Cr	Stoppuhr aktiviert oder deaktiviert. Beim Aktivieren wird sie während dem Betrieb der Maschine auf dem rechten Display angezeigt.
u	Parameter zur Temperaturkorrektur, ermöglicht die Eingabe der Abweichung (Offset) zwischen der tatsächlichen Temperatur und der von der Gruppenanzeige angezeigten Temperatur.
Ac	Dampfboiler aktiviert/deaktiviert
EP	Ermöglicht die Konfiguration des Wasseranschlusses als Netz (red) oder Tank (dep.).
SP	Zeigt die Anzahl der Teilbezüge (seit dem letzten Zurücksetzen) an. Anmerkung: Diese Option zählt die Anzahl der zubereiteten Kaffees und nicht wie oft gedrückt wurde. Daher zählen Doppelfunktionen als 2 Kaffees.
ST	Zeigt die Nummer der Gesamtbezüge Gesamtverlauf ohne Berücksichtigung von Zurückstellungen auf 0) der Maschine an.



Um in den Programmierungsmodus zu gelangen muss die Taste 5 gedrückt werden und direkt danach, ohne diese loszulassen, die Taste 3 (von links) der ersten Tastenreihe. Die 3 Tasten und Displays bleiben ausgeschaltet. Anschließend die Taste 3 für 10 Sekunden drücken. Danach zeigt das linke Display, gemäß der vorigen Tabelle die verschiedenen Programmierungsoptionen an.

Die Taste 2 führt uns weiter und mit der Taste 1 kehren wir zwischen den verschiedenen Optionen zurück und mit der Taste 5 gelangen wir in die ausgewählte Option, um den vorigen programmierten Wert zu ändern. Wenn man in der zu modifizierenden Option ist, kann der Wert derselben mit den Tasten 1 und 2 vergrößert/verkleinert werden. Mit der Taste 5 wird die Änderung bestätigt und man kehrt zum Programmierungsmenü zurück.

Um das Programmierungsmenü zu verlassen, muss die Option ESC gesucht und über die Taste 3 ausgewählt werden. Die Drucktasten und die Displays bleiben ausgeschaltet. Sie müssen durch erneutes Drücken der Taste 2 aktiviert werden.

ACHTUNG!

Wir können die Parameter der Programmierung zurücksetzen, indem wir bei ausgeschalteter Maschine die Tasten 1, 2 und 3 des Tastenfeldes drücken. Ohne sie loszulassen, betätigen wir den Hauptschalter, bis der Text Prt auf dem Display der Gruppe 1 erscheint. Dann lassen wir die Tasten los, schalten das Gerät aus und wieder ein.

ACHTUNG!

Alarme. Die Displays über jeder Tastengruppe geben auch Informationen in Bezug auf die Probleme an, die an den verschiedenen Komponenten laut der folgenden Alarmliste auftreten können.

AL1	Wassertankfüllstand nachfüllen
AL2	Fehler Durchflussmesser
AL3	Fehler Temperatursonde der Gruppe
AL4	Fehler Widerstand der Gruppe
AL5	Fehler Kreislauf
AL6	Max. Zeit zum Füllen des Boilers
AL7	Fehler Temperatursonde des Boilers
AL8	Fehler Widerstand des Boilers

ACHTUNG!

Es ist möglich, die Maschine so zu aktivieren, dass nur das Tastenfeld und das Display aufleuchten, wobei die Widerstände und Alarme ausgeschaltet werden. Um das Gerät auf diese Weise einzuschalten, drücken Sie bei ausgeschaltetem Gerät die Tasten 1 und 2 auf dem Tastenfeld und halten Sie sie gedrückt, während Sie den Hauptschalter betätigen, bis das Tastenfeld und das Display aufleuchten. Zur Deaktivierung muss der gleiche Vorgang wiederholt werden.





14 – Benutzung der APP Baby T - Anschluss der Maschine

Die elektronische Konfiguration der Modelle Baby T ZERO und PLUS kann mit einer bestimmten App über ein mobiles Gerät vorgenommen werden. Sie können die App auf der Ascaso Factory Website oder über Ihren üblichen Lieferanten herunterladen.

Mit dieser App können Sie Parameter steuern, wie z.B.:

- Allgemeine Einstellungen: Modell, Messeinheit, Wasseranschlusssystem, Maschine EIN/AUS, Gruppe und Dampfboiler.
- Temperatureinstellung: Kaffeegruppe, Dampfboiler, Umleitung und Stand-by Dampfboiler.
- Einstellung Dosis/Pre-Infusion: Menge und Pre-Infusionszeit für die verfügbaren Auswahlen (insgesamt 4), sowie Aktivierung der automatischen Spülung über die XL-Taste.
- Programmierung des automatischen Ein-/Ausschaltens der Maschine.
- Statistische Daten: Ablesen und Zurücksetzen der Kaffeemesswerke jeder Auswahl (4), sowie der Summen.

Um die Maschine mit Ihrem mobilen Gerät zu verbinden, befolgen Sie bitte die folgenden Schritte:

1. Die Bluetooth-Funktion des mobilen Geräts aktivieren.
2. Die App Ascaso Baby T aktivieren.
3. Die Option **Verbinden** aus dem Hauptmenü auswählen. Die Liste der verfügbaren Geräte wird angezeigt. Sie finden die Kaffeemaschine unter dem Namen ASCASOXXXX, wobei XXXX der Seriennummer des Bluetooth-Moduls der Maschine entspricht (z.B. ASCASO0000).
4. **Achtung!** Der Autorisierungscode für die Verbindung lautet 8483.
5. Sobald die Verbindung hergestellt ist, wählen Sie im Hauptmenü die Option **Maschine auslesen**.
6. Wenn Sie die Einstellung der Parameter abgeschlossen haben, wählen Sie die Option **Maschine schreiben**, um sie an die Maschine zu schicken.
7. Zum Abschluss die Option **Trennen** auswählen.

Die Benutzung der Anwendung ist völlig intuitiv.



15 – Wartung und Reinigung

Die Reinigung und vorbeugende Pflege des inneren Systems Ihrer Maschine ist vital, um einen Espresso von optimaler Qualität zu erhalten.

Allgemeine Warnung! Die Reinigung und Wartung müssen im kalten Zustand des Gerätes durchgeführt werden und wenn es vom Stromnetz getrennt ist. Das Gerät nicht in Wasser eintauchen. Nicht spülmaschinenfest.

1) TÄGLICHE REINIGUNG

- Um die Maschine außen zu reinigen, spezifische Produkte für Edelstahl verwenden.
- Die Displays nie mit Alkohol reinigen.
- Die Auffangwanne regelmäßig herausnehmen, um sie zu reinigen.
- Reinigen Sie das Dampfrohr direkt nach der Benutzung mit einem feuchten Tuch.
- Am Ende des Tages das Dampfrohr reinigen und die Milchreste entfernen. Bereiten Sie dazu einen spezifischen Reiniger für Dampfrohre Ascaso V.8410 mit der auf dem Produkt angegebenen Dosierung vor. Nach der Vorbereitung fahren Sie fort, das Rohr gemäß den Anweisungen des Reinigungsmittels zu reinigen, ohne zu vergessen, den Vorgang mit sauberem Wasser zu wiederholen, um Produktrückstände aus dem Dampfrohr zu entfernen.
- Ablaufpfanne. Die Pfanne von Kaffeeresten und Rückständen reinigen und mit einem Teelöffel entfernen.

2) WÖCHENTLICHE REINIGUNG

- Dusche und Dichtung der Kaffeegruppe, wöchentlich. Mit der Spezialbürste Ascaso Code V.26 die Duschen und Dichtungen des Filterträgers reinigen.
- Filter und Filterträger, wöchentlich. Bereiten Sie eine Lösung des Reinigungsmittels Ref. V.8401 oder V.8402 gemäß den auf dem Produkt angegebenen Anleitungen vor. Die Filterträger und Filter in die Lösung eintauchen und sie mindestens 20 Minuten darin lassen. Vorzugsweise die ganze Nacht in der Lösung lassen. Die Teile nach dieser Zeit herausnehmen und mit reichlich sauberem Wasser abspülen.
- Wöchentliche Reinigung der internen Komponenten. Mit der Maschine im Betrieb, das Kaffeefilter des Filterträgers durch das mitgelieferte Blindfilter austauschen. Wenden Sie den Reiniger Ref. V.8401 oder V.8402 gemäß den darin angegebenen Anleitungen an. Dieser Prozess löst das Pulver auf, das sich im Blindfilter befindet, reinigt die Leitungen und das Elektroventil sowie die Duschen und Diffusoren der Brühgruppe.



Diesen Prozess so oft wie notwendig wiederholen, bis beim Ablassen der Brühgruppe sauberes Wasser herauskommt. Nach Beendigung den Filterträger herausnehmen und die Brühgruppe für 30 Sekunden betätigen, damit sauberes Wasser durchfließt.

3) AUTOMATISCHE REINIGUNG DER BRÜHGRUPPE

Um das automatische Reinigungssystem der Kaffee-Brühgruppe zu aktivieren, müssen die Taste 3 und direkt danach, ohne diese loszulassen, die Taste 1 der Gruppe gedrückt werden. Ein Vorgang von 10 aufeinanderfolgenden Brühvorgängen beginnt automatisch, mit einer Pause von jeweils 3 Sekunden. Um den Vorgang zu unterbrechen, drücken Sie die Taste 3.

4) REINIGUNG DES BOILERS

Je nach Benutzung und Härte des verwendeten Wassers wird es notwendig sein, den Dampfboiler zu reinigen. Verwenden Sie dazu das Reinigungsprodukt V.8412 gemäß den auf dem Produkt angegebenen Anleitungen.



16 – Garantie

Die Garantie ist die Kaufrechnung. Diese bitte aufbewahren. Diese muss dem technischen Kundendienst vorlegt werden, wenn irgendeine Störung eintreten sollte.

Dieses Gerät wird vom Händler ab dem Kaufdatum gegen alle Fehler der Herstellung oder des verwendeten Materials garantiert.

Die eventuell anfallenden Kosten für Versand und Verpackung gehen zu Lasten des Benutzers.

Diese Garantie hat keine Gültigkeit, wenn:

1. Keine Rechnung vorhanden ist.
2. Bei unsachgemäßer Benutzung der Maschine.
3. Bei einer Kalkansammlung oder fehlender Reinigung der Maschine.
4. Das Gerät wurde von Personen zerlegt, die nicht zum Netzwerk des offiziellen technischen Kundendienstes von Ascaso gehören.

DEUTSCH







Notes / Notas / Notizen





Blank writing area with horizontal lines.





ascaso

for coffee lovers

Ascaso Factory SLU
Ascaso Factory SLU
Coneixement 1 Pol. Ind. GaváPark 08850
Gavá / Barcelona / Spain
Tel. (34) 93 475 02 58
ascaso@ascaso.com
www.ascaso.com



Technical specifications and models can change without notice.
Especificaciones técnicas y modelos pueden sufrir variaciones sin previo aviso.
Die technischen Spezifikationen und Modelle können sich ohne vorige Ankündigung ändern.

